

STATE OF FLORIDA
DEPARTMENT OF TRANSPORTATION

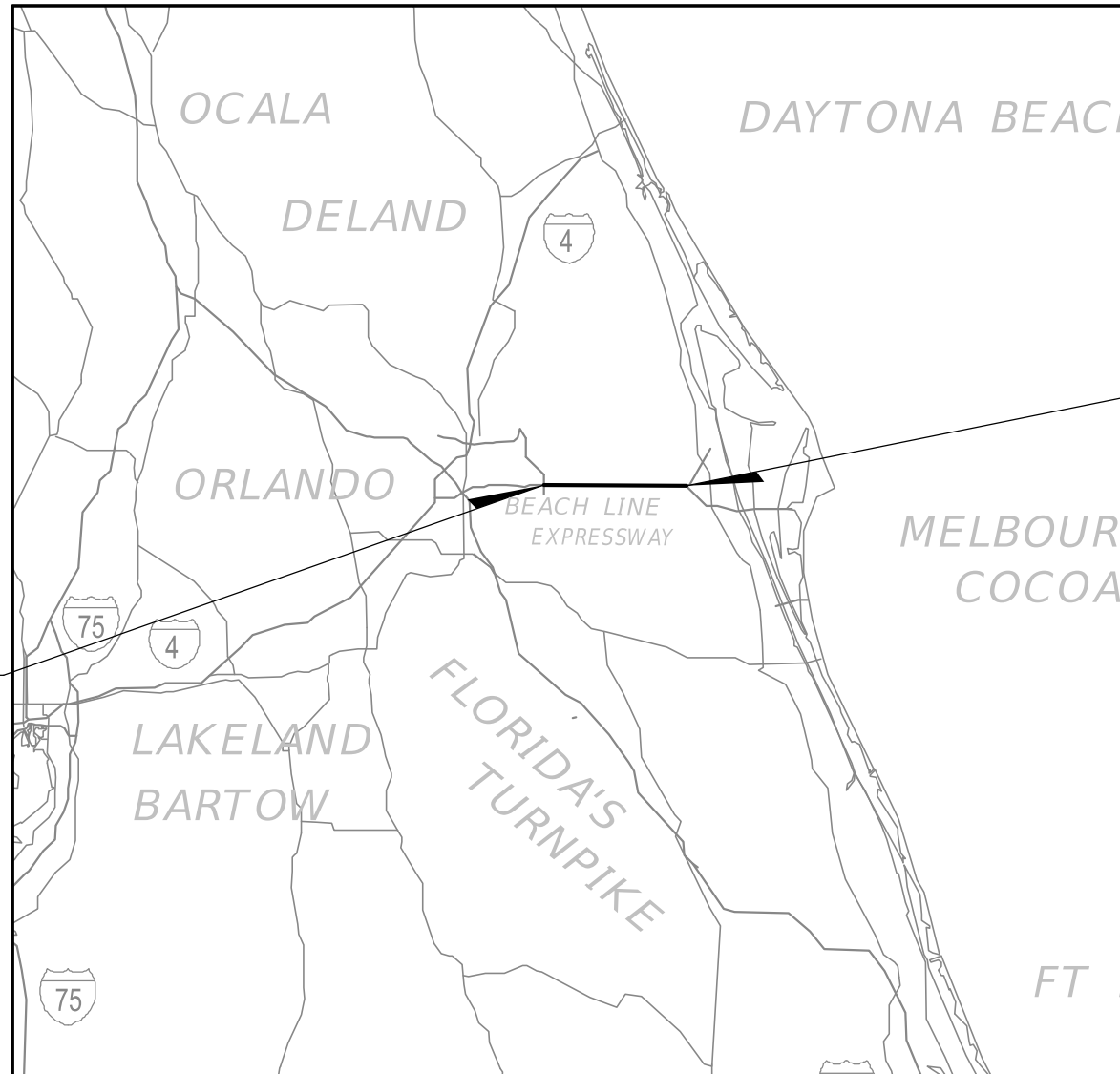
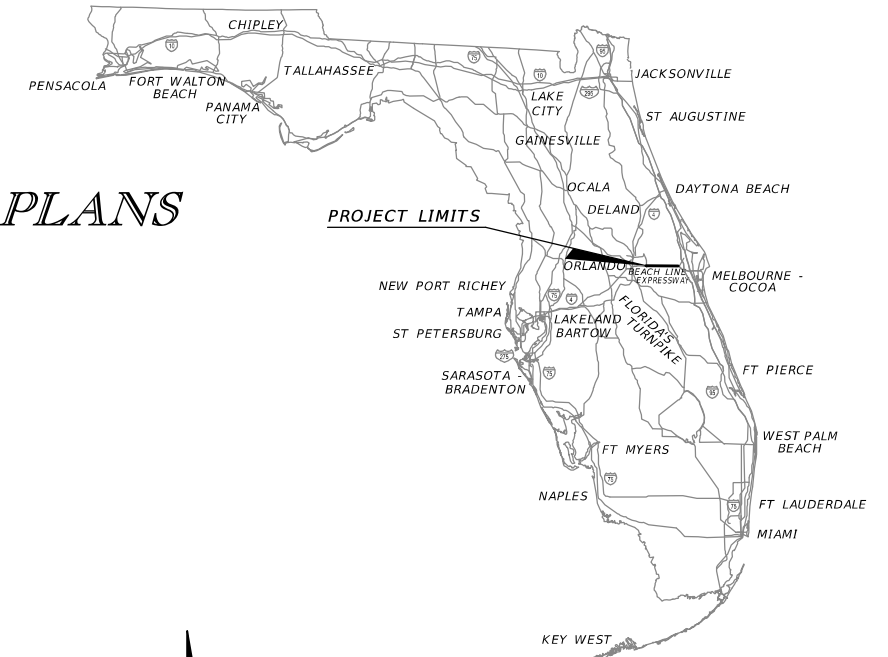
**SR-528 WESTBOUND - SR-407 TO SR-417
EMERGENCY SHOULDER USE (ESU) CONCEPT PLANS
2021 (RIGHT SHOULDER USE ONLY)**

STATE ROAD NO. 528

ORANGE COUNTY (75002000, 75475000)

INDEX OF SHOULDER USE CONCEPT PLANS

SHEET NO.	SHEET DESCRIPTION
1	KEY SHEET
2	GENERAL NOTES AND SUMMARY OF QUANTITIES
3-4	FEATURE TABULATION
5	TYPICAL SIGN PLACEMENT
6	PROJECT LAYOUT
7-17	PLAN SHEETS
18-23	SIGN DETAILS



11/5/2021

FISCAL YEAR	SHEET NO.
21	1

GENERAL NOTES






1. THE PAVED SHOULDER WIDTH ALONG THIS CORRIDOR HAS BEEN FIELD VERIFIED TO BE AT LEAST 10'-0" MEASURED FROM THE EDGE OF THE PAVED SHOULDER OR FACE OF GUARDRAIL OR CONCRETE BARRIER WALL TO THE EDGE OF THE STRIPE. HOWEVER, IF CONSTRUCTION WORK OR OTHER CONDITION RESULTS IN A PAVED SHOULDER WIDTH, AT THE TIME OF IMPLEMENTATION, LESS THAN 10'-0" BUT AT LEAST 9'-0". SEE NARROW SHOULDER LAYOUT SHEET.
2. IMPLEMENTATION OF SHOULDER USE MAY BE ALONG THE ENTIRE CORRIDOR OR ALONG SPECIFIC SECTIONS OF THE CORRIDOR.
3. DEBRIS, ENCROACHING VEGETATION AND HAZARDS ON BOTH SHOULDERS SHALL BE REMOVED PRIOR TO IMPLEMENTATION OF SHOULDER USE.
4. SIGNS MAY BE PERMANENT, TEMPORARY, OR PORTABLE INSTALLATIONS. IF PERMANENT OR TEMPORARY INSTALLATIONS ARE USED, THE SIGNS SHALL BE BLACK LEGEND ON WHITE BACKGROUND FOR REGULATORY SIGNS AND BLACK LEGEND ON YELLOW BACKGROUND FOR WARNING SIGNS. IF PORTABLE INSTALLATIONS ARE USED, THE SIGNS SHALL BE BLACK LEGEND ON FLUORESCENT PINK BACKGROUND. THE SIGN MESSAGES SHALL ONLY BE DISPLAYED UPON IMPLEMENTATION.
5. DISTRICT SPECIFIC STANDARD OPERATING PROCEDURE (SOP) WILL BE DEVELOPED AND PROVIDED BY EACH FDOT DISTRICT. THESE WILL ADDRESS REQUIREMENTS AND STANDARD PROCEDURES FOR TEMPORARY AND PERMANENT SIGN INSTALLATIONS, EMERGENCY ASSISTANCE VEHICLE, LAW ENFORCEMENT OFFICER AND OTHER PERTINENT INFORMATION REGARDING THE IMPLEMENTATION OF SHOULDER USE FOR EMERGENCY EVACUATION PURPOSES.
6. UNLESS OTHER TRAFFIC INCIDENT MANAGEMENT MESSAGES TAKE PRECEDENCE, THE DEFAULT MESSAGE ON THE PERMANENT DMS SHALL BE SINGLE-PHASE, THREE-LINE MESSAGE:

RIGHT SHOULDER OPEN FOR USE - NO TRUCKS BUSES OR TRAILERS

IF REQUIRED, USE OF ABBREVIATED TEXT IS ALLOWED PER MANUAL ON UNIFORM TRAFFIC CONTROL DEVICES (MUTCD) SECTION 1A.

7. DMS - DYNAMIC MESSAGE SIGN
TDMS - TOLL DYNAMIC MESSAGE SIGN
PCMS - PORTABLE CHANGEABLE MESSAGE SIGN
EAV - EMERGENCY ASSISTANCE VEHICLE
LEO - LAW ENFORCEMENT OFFICER
8. CHANNELIZING DEVICES MAY BE TRAFFIC CONES, PLASTIC DRUMS OR TUBULAR MARKERS.
9. SIGNS AND TEMPORARY MOUNTS SHALL BE ON THE APPROVED PRODUCTS LIST (APL).
10. ESU SHOULD ONLY BE IMPLEMENTED IN DRY CONDITIONS. IF RAIN OR FOG EXISTS, ESU SHOULD BE TERMINATED UNTIL FURTHER GUIDANCE IS PROVIDED BY THE STATE TRAFFIC ENGINEERING AND OPERATIONS OFFICE.

LEGEND

-  EMERGENCY ASSISTANCE VEHICLE (SHOWN FOR INFORMATION ONLY)
-  LAW ENFORCEMENT OFFICER (LEO) (FIXED POSITIONS)
-  PORTABLE CHANGEABLE MESSAGE SIGN (PCMS)
-  TEMPORARY STATIC SIGN
-  CHANNELIZING DEVICE

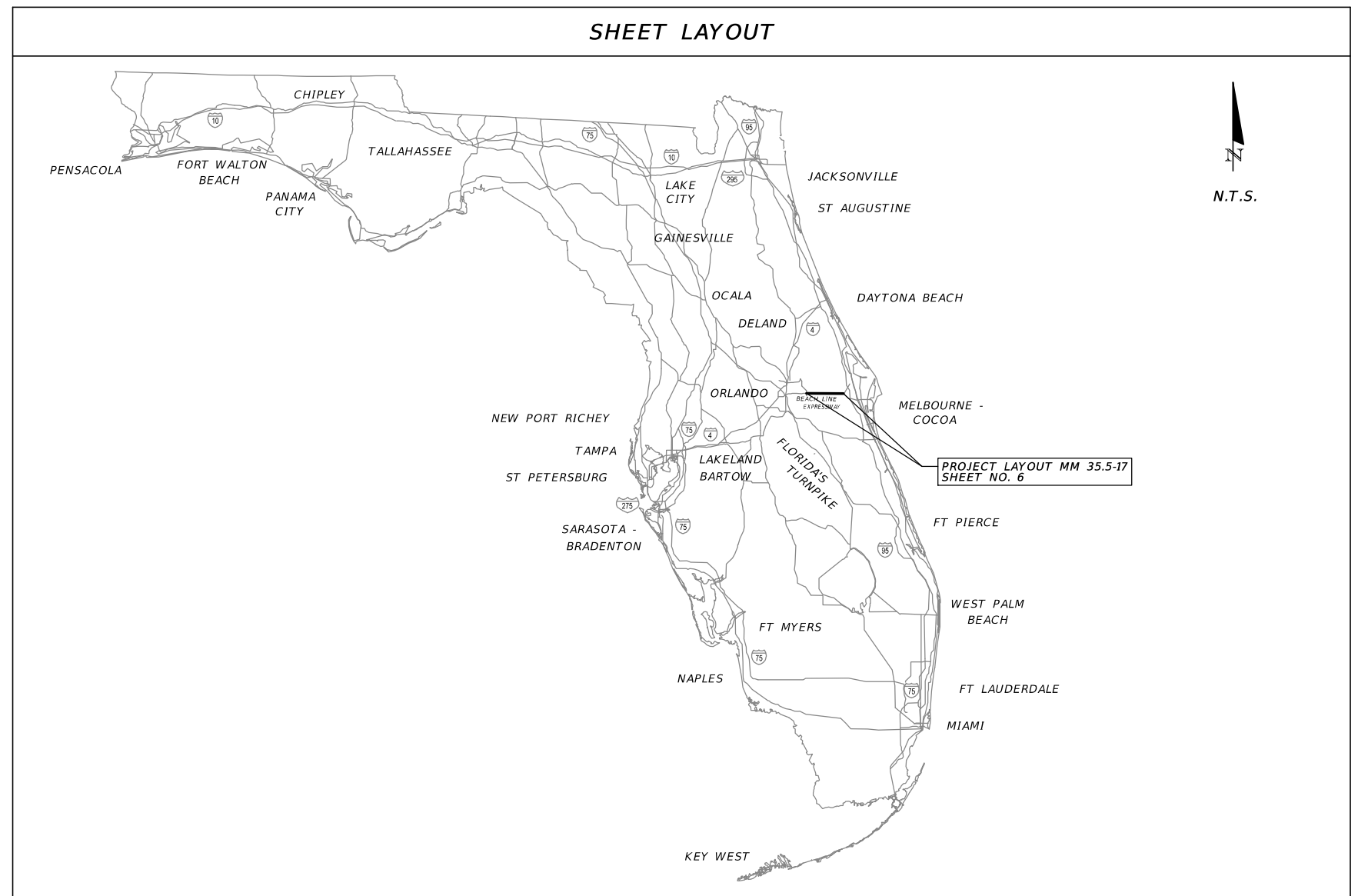
TABULATION OF QUANTITIES

LOCATIONS	NUMBER	LAW ENFORCEMENT OFFICER (LEO)	EMERGENCY ASSISTANCE VEHICLE (EAV)	PORTABLE CHANGEABLE MESSAGE SIGN (PCMS)	TEMP. STATIC SIGN	CHANNELIZING DEVICES
BEGIN	1	1	1	2	1	0
END	1	1	1	2	7	11
INTERCHANGE	3	6	3	2	18	146
TOLL PLAZA	1	1	1	2	2	105
TOTAL		9	6	8	28	278

NOTES:

1. LAW ENFORCEMENT OFFICER (LEO) SHOWN ON THE PLANS ARE FIXED LOCATIONS AND DO NOT ACCOUNT FOR ADDITIONAL SUPPORT ACTIVITIES OR PATROLLING ACTIVITIES.
2. EMERGENCY ASSISTANCE VEHICLE (EAV) LOCATIONS SHOWN ON THE PLANS DO NOT ACCOUNT FOR ADDITIONAL SUPPORT ACTIVITIES.
3. QUANTITIES FOR (OPTIONAL) ALTERNATE END DETOUR LOCATIONS ARE SHOWN ON APPROPRIATE PLAN SHEETS.

SHEET LAYOUT



REVISIONS				STATE OF FLORIDA DEPARTMENT OF TRANSPORTATION			GENERAL NOTES AND SUMMARY OF QUANTITIES	SHEET NO. 2
DATE	DESCRIPTION	DATE	DESCRIPTION	ROAD NO.	COUNTY	FINANCIAL PROJECT ID		
				SR 528 WB	ORANGE			

CONSTRUCTION PROJECTS										
FPID	DISTRICT	COUNTY	DESCRIPTION	MM BEGIN	MM END	START DATE	END DATE	ESU IMPACT (DURING 2021 HURRICANE SEASON)	ESU IMPACT (OUTSIDE 2021 HURRICANE SEASON)	DESIGN VARIATION
N/A	5	ORANGE	BRIGHTLINE (BLT) PERMIT - TRAIN LINE CONSTRUCTION	-	-	APR - 21	TBD			PERMIT

* There is ESU Impact (indicated with an "X") when the shoulder cannot be returned to the existing condition and open an emergency travel lane within 24 hours of being notified of an emergency event. If work within the shoulder can be discontinued and the shoulder can be cleared and opened within 24 hours of being notified of an emergency event, there is no ESU impact.

LEO LOCATION ASSIGNMENT TABLE (FHP TROOPS)			
NO.	LEO NUMBER	MILE MARKER	LOCATION
1	528WB - 35.5	35.5	W. OF ST. JOHNS RIVER
2	528WB - 31A	31	E. OF SR 520
3	528WB - 31B	31	W. OF SR 520
4	528WB - 26	26	E. OF TOLL PLAZA
5	528WB - 23.75	23.75	W. OF DALLAS BLVD.
6	528WB - 19.75	19.75	W. OF INNOVATION WAY
7	528WB - 19.5	19.5	INNOVATION WAY OVERPASS
8	528WB - 19	19	E. OF INNOVATION WAY
9	528WB - 17	17	W. OF TOLL PLAZA

EAV LOCATION ASSIGNMENT TABLE			
NO.	EAV NUMBER	MILE MARKER	LOCATION
1	528WB - 35.5	35.5	W. OF ST. JOHNS RIVER
2	528WB - 31	31	E. OF SR 520
3	528WB - 26	26	E. OF TOLL PLAZA
4	528WB - 23.75	23.75	W. OF DALLAS BLVD.
5	528WB - 19.75	19.75	W. OF INNOVATION WAY
6	528WB - 17	17	W. OF TOLL PLAZA

TELEMETER TRAFFIC MONITORING SITE (TTMS)						
NO.	DISTRICT	COUNTY	LOCATION	MILE MARKER	LIVE POLL	SHOULDER LOOP
1	5	ORANGE	SR 520 @ JIM CREEK BRIDGE	32.5	DAILY	NO

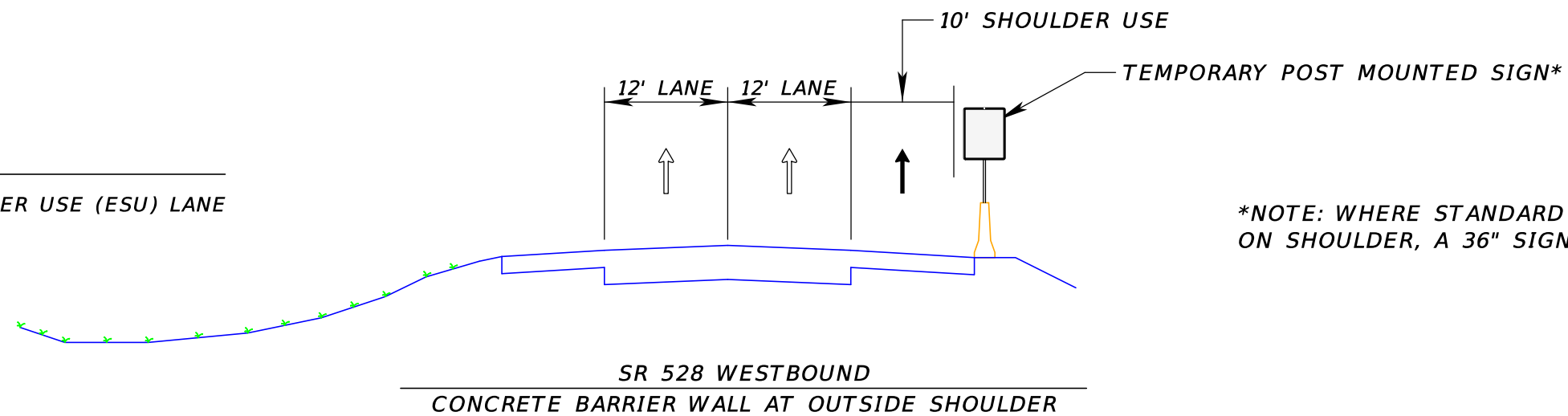
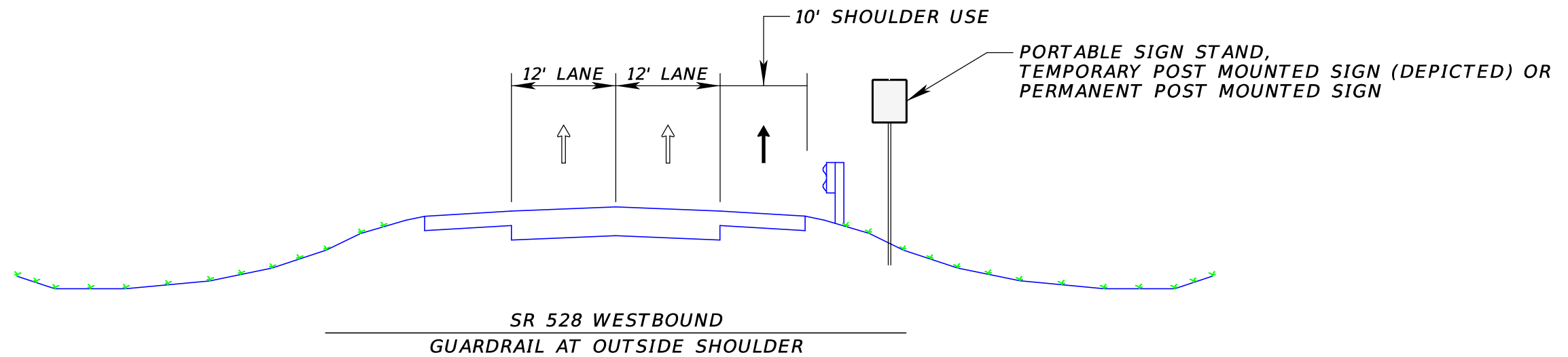
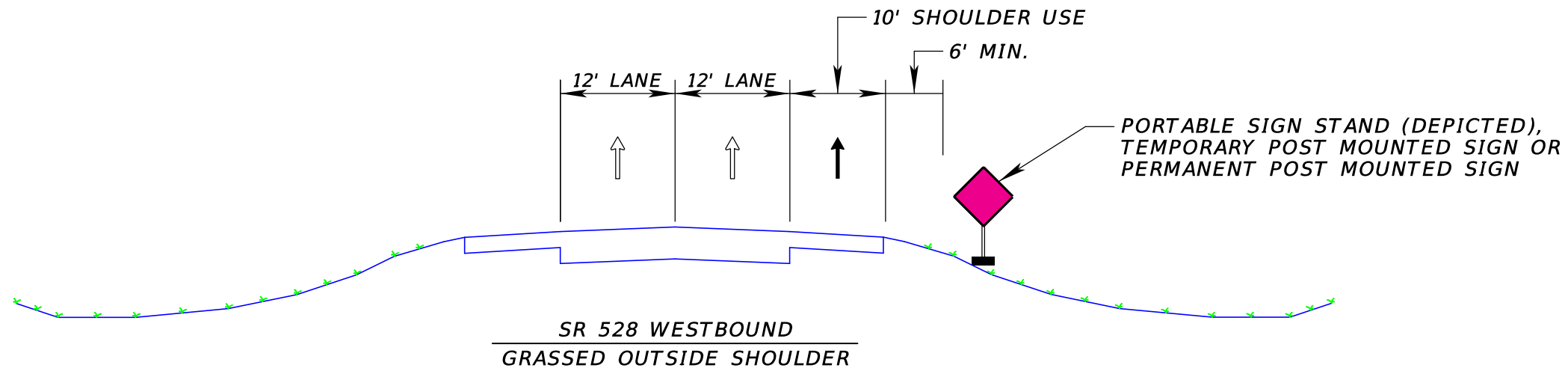
REVISIONS				STATE OF FLORIDA DEPARTMENT OF TRANSPORTATION	FINANCIAL PROJECT ID	FEATURE TABULATION (01)	SHEET NO.
DATE	DESCRIPTION	DATE	DESCRIPTION				
							ROAD NO.
				SR 528 WB	ORANGE		

<i>DYNAMIC MESSAGE SIGN (DMS)</i>				
<i>NO.</i>	<i>DISTRICT</i>	<i>COUNTY</i>	<i>LOCATION</i>	<i>MILE MARKER</i>
1	5	ORANGE	E. OF SR 520	31.7
2	5	ORANGE	W. OF DALLAS BLVD	23.3

<i>TOLL DYNAMIC MESSAGE SIGN (TDMS)</i>				
<i>NO.</i>	<i>DISTRICT</i>	<i>COUNTY</i>	<i>LOCATION</i>	<i>MILE MARKER</i>
1	5	ORANGE	TDMS E. OF TOLL PLAZA	26.5
2	5	ORANGE	TDMS E. OF TOLL PLAZA	26.3
3	5	ORANGE	TDMS E. OF TOLL PLAZA	17.5
4	5	ORANGE	TDMS E. OF TOLL PLAZA	17.3

<i>SUMMARY OF EMERGENCY CROSSOVERS</i>			
<i>COUNTY</i>	<i>DISTRICT</i>	<i>MILE POST</i>	<i>MILE MARKER</i>
ORANGE	5	27.437	28
ORANGE	5	26.403	27
ORANGE	5	25.766	26.25
ORANGE	5	21.922	22.5
ORANGE	5	16.404	17

<i>REVISIONS</i>				<i>STATE OF FLORIDA DEPARTMENT OF TRANSPORTATION</i>			<i>FEATURE TABULATION (02)</i>	<i>SHEET NO.</i>
<i>DATE</i>	<i>DESCRIPTION</i>	<i>DATE</i>	<i>DESCRIPTION</i>	<i>ROAD NO.</i>	<i>COUNTY</i>	<i>FINANCIAL PROJECT ID</i>		
				SR 528 WB	ORANGE			4



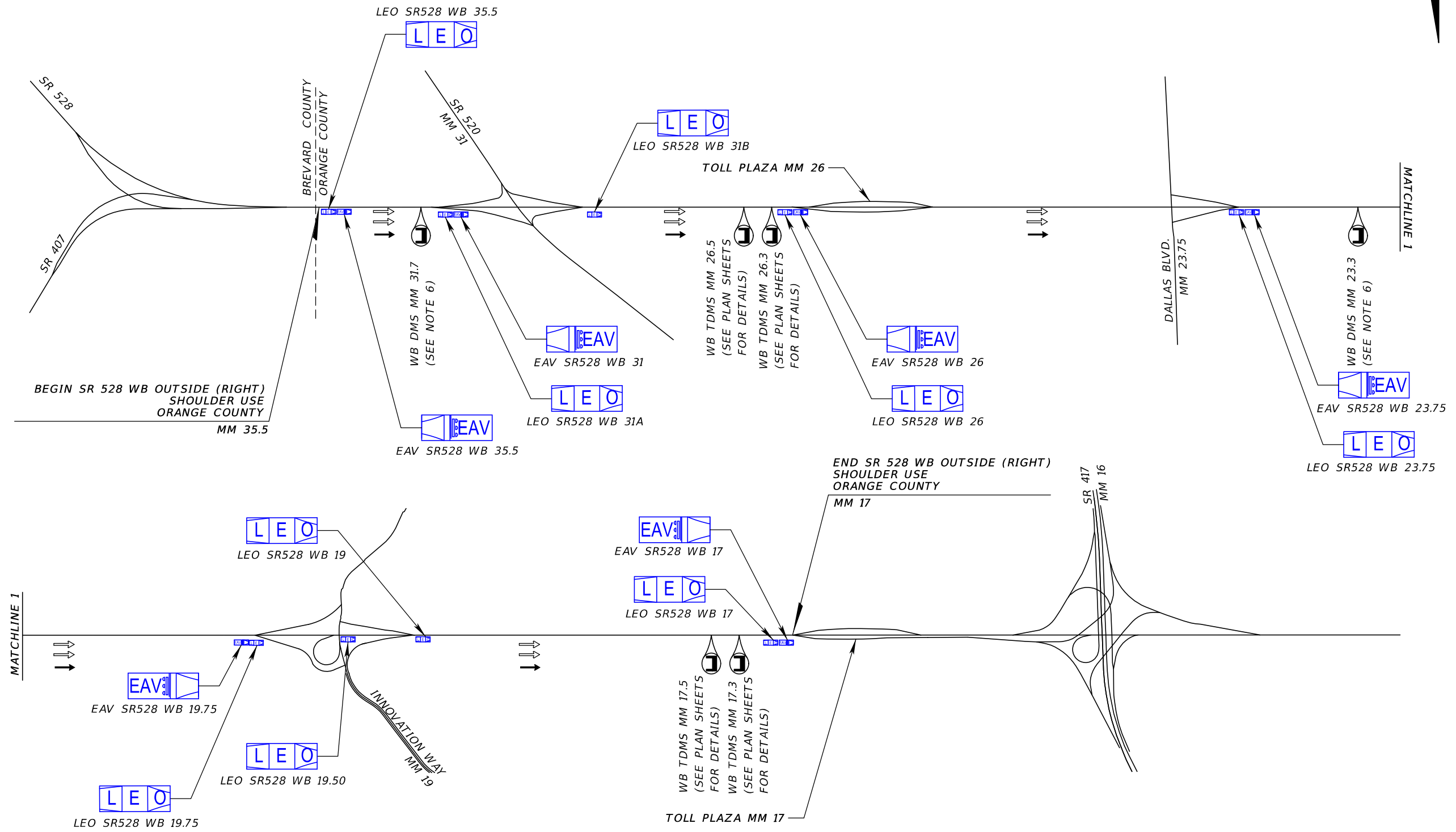
LEGEND

- ➔ EMERGENCY SHOULDER USE (ESU) LANE
- ⇨ GENERAL USE LANE

*NOTE: WHERE STANDARD SIGN WILL ENCROACH ON SHOULDER, A 36" SIGN SHOULD BE USED.

REVISIONS				STATE OF FLORIDA DEPARTMENT OF TRANSPORTATION	TYPICAL SIGN PLACEMENT	SHEET NO. 5
DATE	DESCRIPTION	DATE	DESCRIPTION			

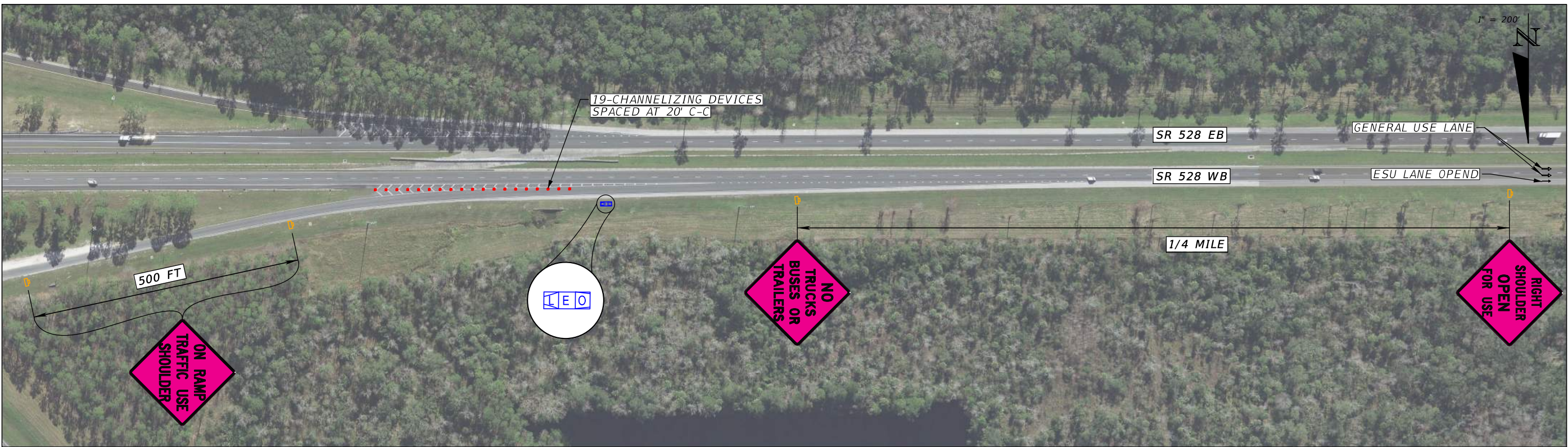
LEGEND
 MM - MILE MARKER
 ⇨ - GENERAL USE LANE
 ⇨ - EMERGENCY SHOULDER USE (ESU) LANE



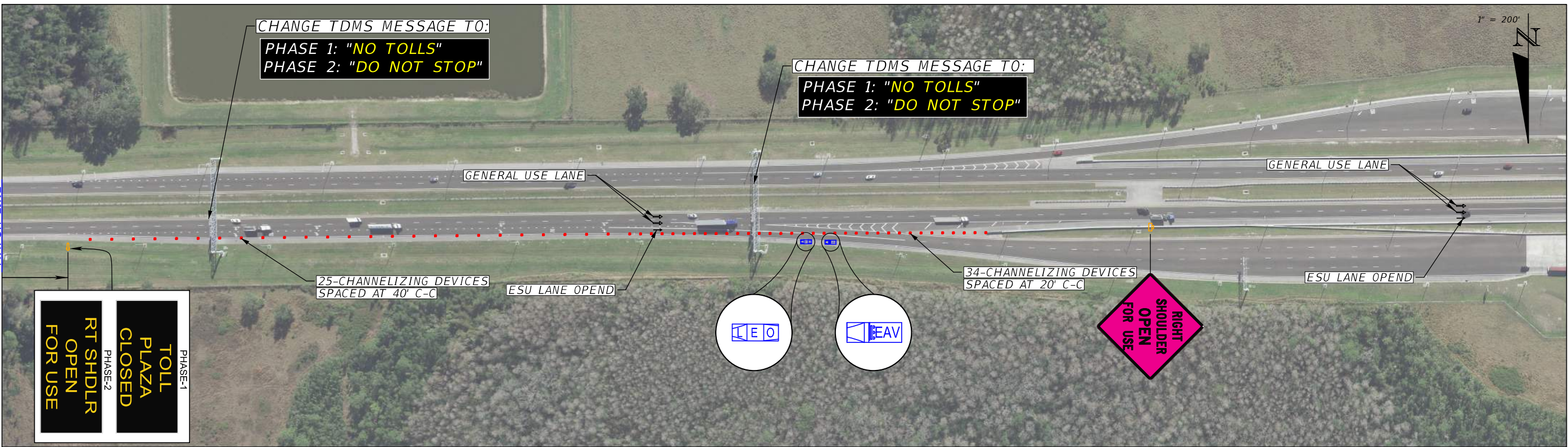
REVISIONS				STATE OF FLORIDA DEPARTMENT OF TRANSPORTATION	PROJECT LAYOUT	SHEET NO. 6
DATE	DESCRIPTION	DATE	DESCRIPTION			



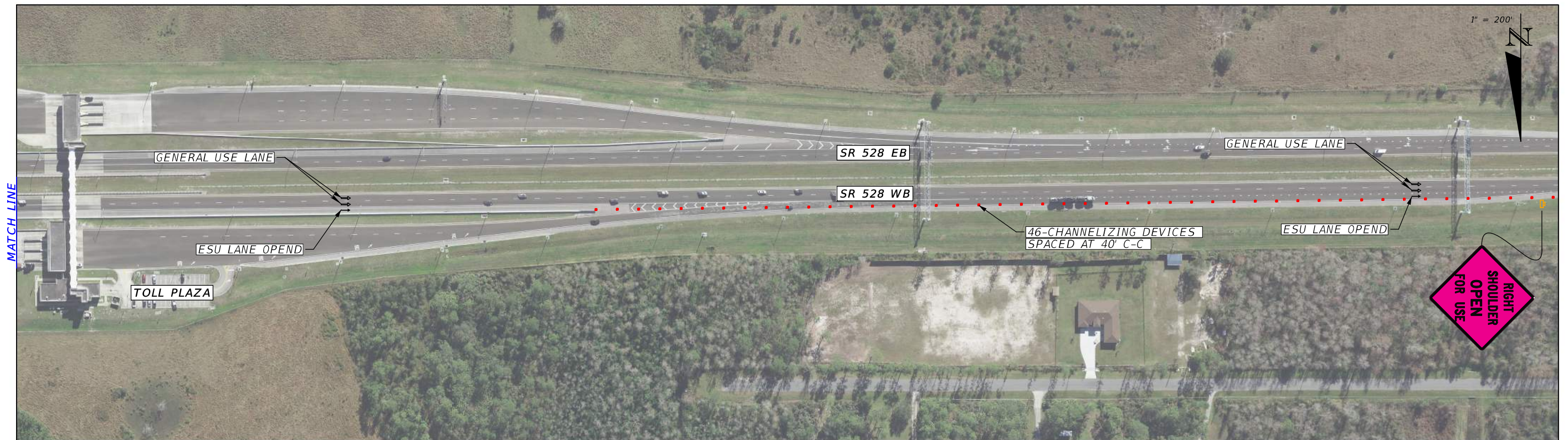
REVISIONS				STATE OF FLORIDA DEPARTMENT OF TRANSPORTATION	PLAN SHEETS (01) TYPICAL LAYOUT FOR BEGIN SHOULDER USE		SHEET NO. 7
DATE	DESCRIPTION	DATE	DESCRIPTION				
				SR 528 WB	ORANGE		



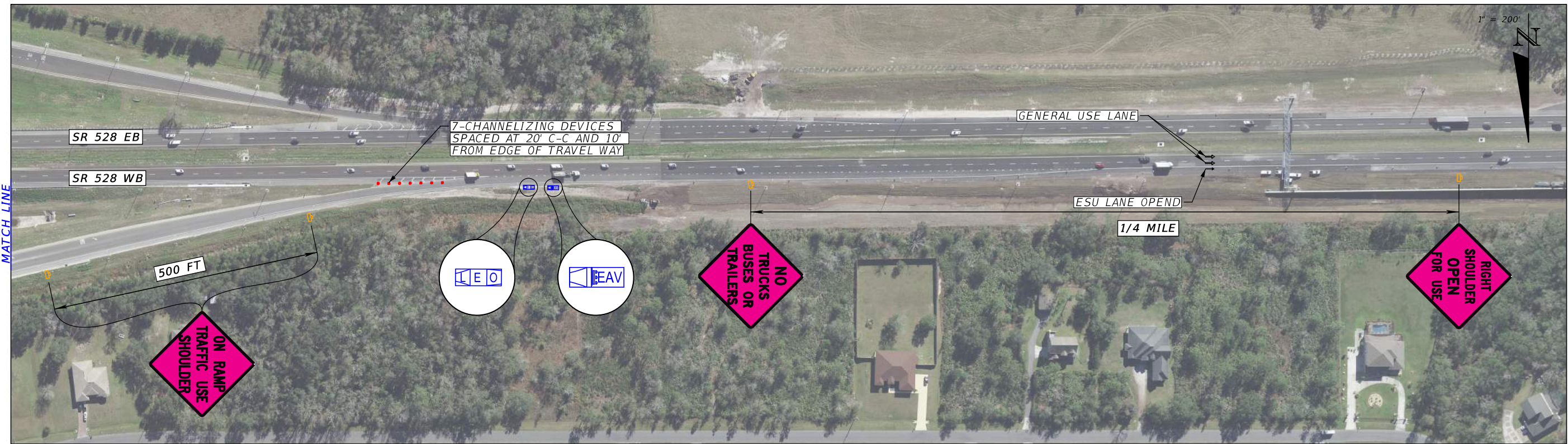
REVISIONS				STATE OF FLORIDA DEPARTMENT OF TRANSPORTATION			PLAN SHEETS (02) SR 520 INTERCHANGE	SHEET NO.
DATE	DESCRIPTION	DATE	DESCRIPTION	ROAD NO.	COUNTY	FINANCIAL PROJECT ID		
				SR 528 WB	ORANGE			8



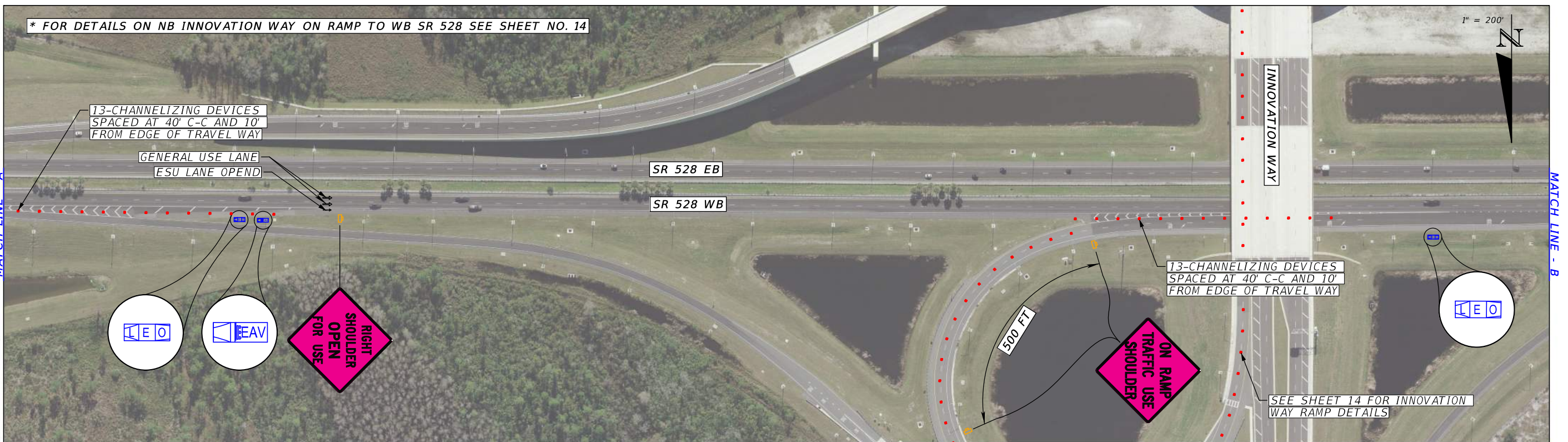
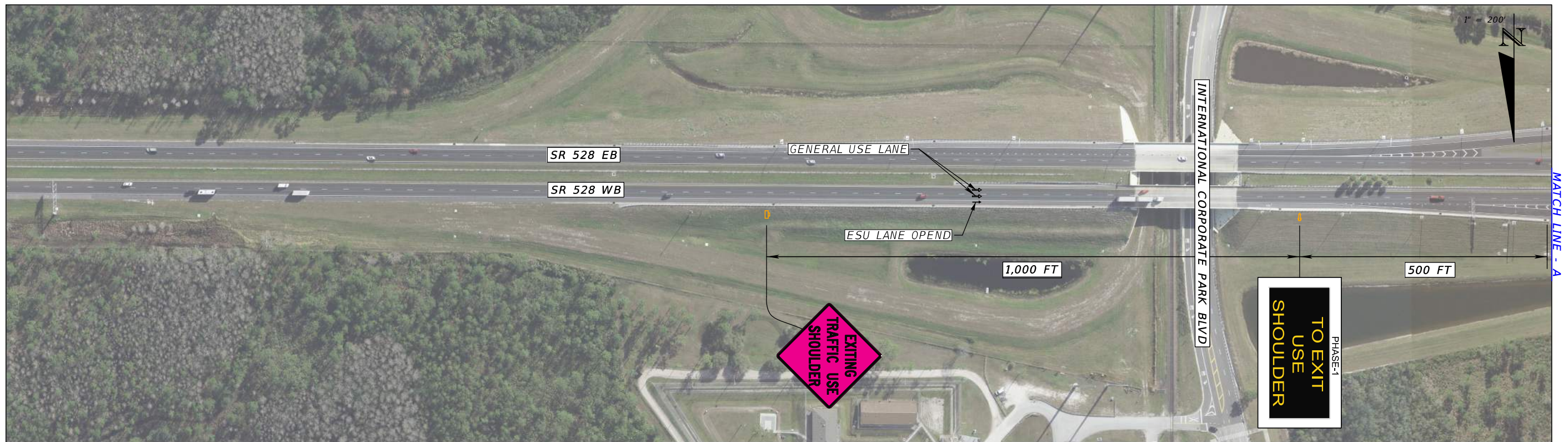
REVISIONS				STATE OF FLORIDA DEPARTMENT OF TRANSPORTATION			PLAN SHEETS (03) TOLL PLAZA CLOSURE MM 26	SHEET NO.
DATE	DESCRIPTION	DATE	DESCRIPTION	ROAD NO.	COUNTY	FINANCIAL PROJECT ID		
				SR 528 WB	ORANGE			9



REVISIONS				STATE OF FLORIDA DEPARTMENT OF TRANSPORTATION			PLAN SHEETS (04) TOLL PLAZA CLOSURE MM 26	SHEET NO.
DATE	DESCRIPTION	DATE	DESCRIPTION	ROAD NO.	COUNTY	FINANCIAL PROJECT ID		
				SR 528 WB	ORANGE			10



REVISIONS		DESCRIPTION		STATE OF FLORIDA DEPARTMENT OF TRANSPORTATION			PLAN SHEETS (05) DALLAS BLVD INTERCHANGE	SHEET NO.
DATE	DESCRIPTION	DATE	DESCRIPTION	ROAD NO.	COUNTY	FINANCIAL PROJECT ID		
				SR 528 WB	ORANGE			11



* FOR DETAILS ON NB INNOVATION WAY ON RAMP TO WB SR 528 SEE SHEET NO. 14

13-CHANNELIZING DEVICES
SPACED AT 40' C-C AND 10'
FROM EDGE OF TRAVEL WAY

GENERAL USE LANE
ESU LANE OPEND

SR 528 EB

SR 528 WB

INNOVATION WAY

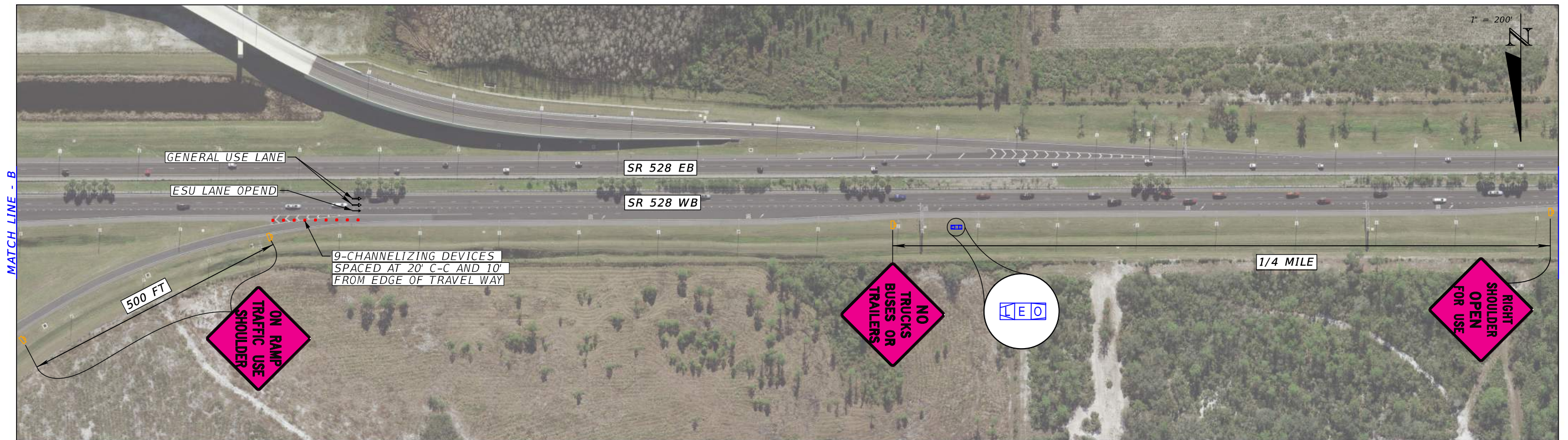
13-CHANNELIZING DEVICES
SPACED AT 40' C-C AND 10'
FROM EDGE OF TRAVEL WAY

500 FT

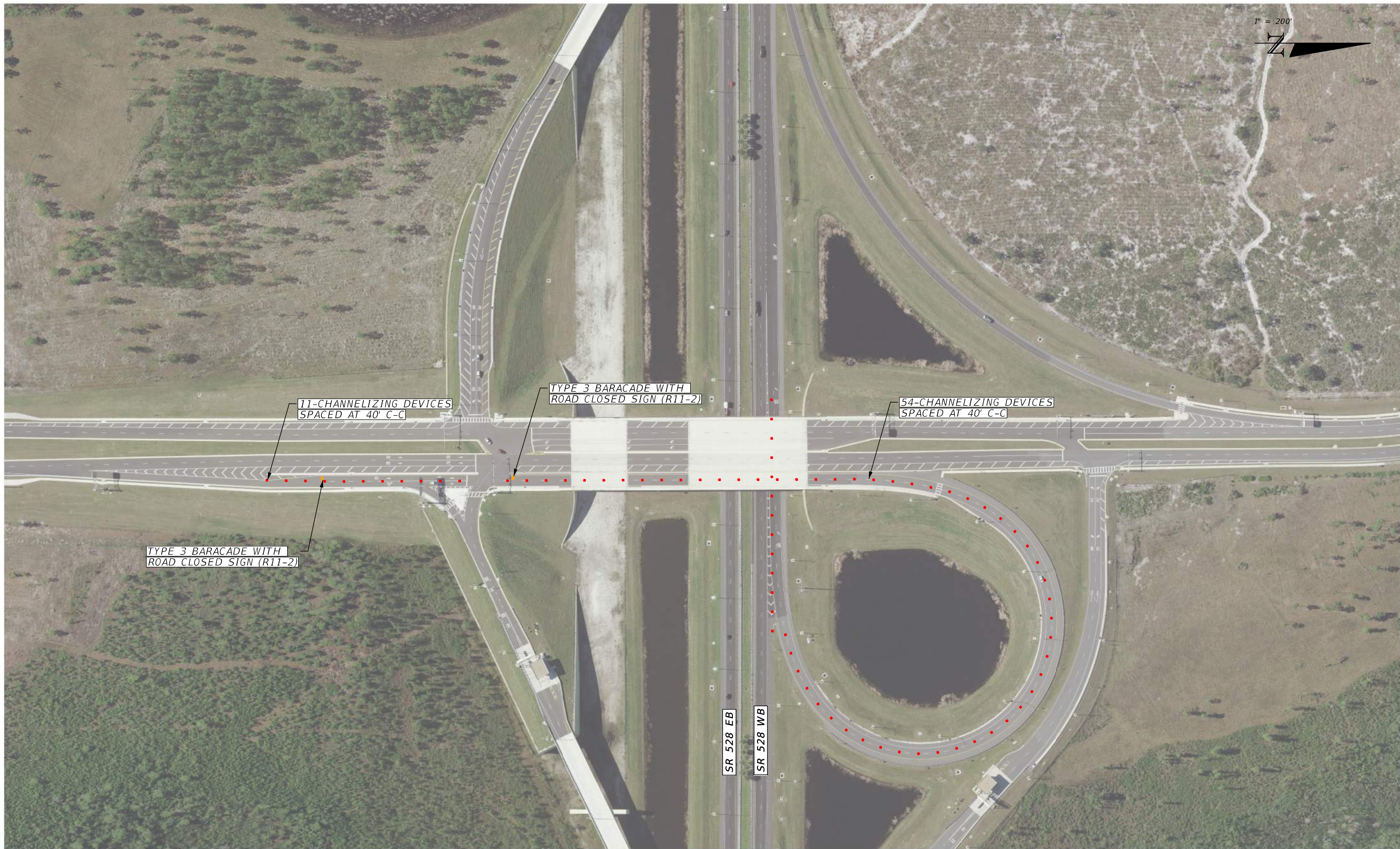
ON RAMP
TRAFFIC USE
SHOULDER

SEE SHEET 14 FOR INNOVATION
WAY RAMP DETAILS

REVISIONS				STATE OF FLORIDA DEPARTMENT OF TRANSPORTATION			PLAN SHEETS (06) INNOVATION WAY INTERCHANGE	SHEET NO.
DATE	DESCRIPTION	DATE	DESCRIPTION	ROAD NO.	COUNTY	FINANCIAL PROJECT ID		
				SR 528 WB	ORANGE			12



REVISIONS				STATE OF FLORIDA DEPARTMENT OF TRANSPORTATION	PLAN SHEETS (07) INNOVATION WAY INTERCHANGE			SHEET NO.
DATE	DESCRIPTION	DATE	DESCRIPTION					13
								ROAD NO.
				SR 528 WB	ORANGE			



REVISIONS			
DATE	DESCRIPTION	DATE	DESCRIPTION

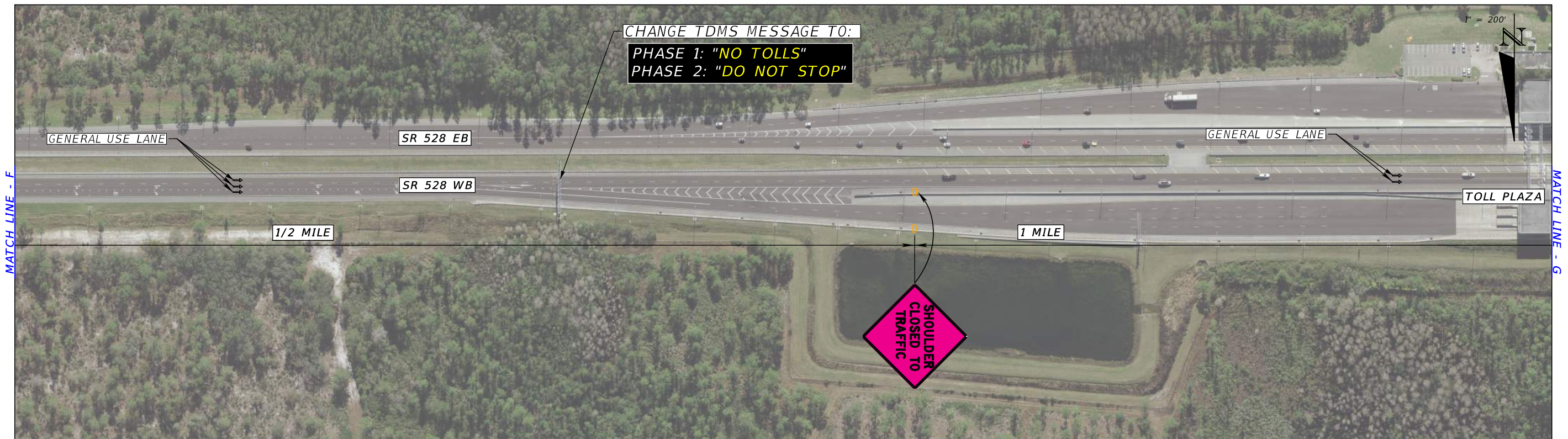
STATE OF FLORIDA DEPARTMENT OF TRANSPORTATION		
ROAD NO.	COUNTY	FINANCIAL PROJECT ID
SR 528 WB	ORANGE	

PLAN SHEETS (08)
INNOVATION WAY
INTERCHANGE

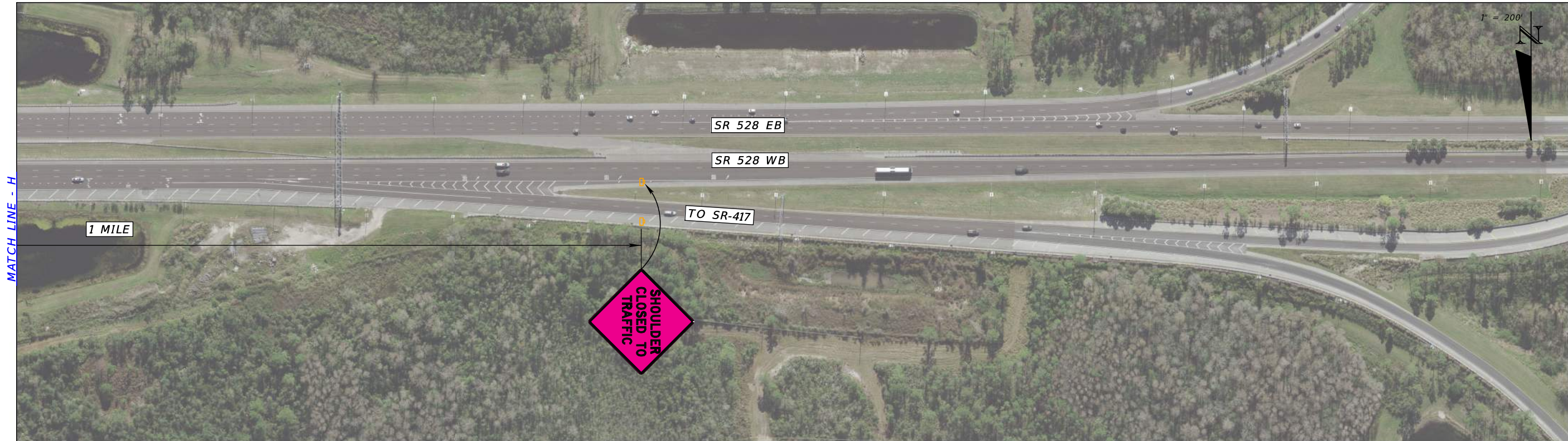
SHEET NO.
14



REVISIONS				STATE OF FLORIDA DEPARTMENT OF TRANSPORTATION			PLAN SHEETS (09) LAYOUT FOR END SHOULDER USE	SHEET NO.
DATE	DESCRIPTION	DATE	DESCRIPTION	ROAD NO.	COUNTY	FINANCIAL PROJECT ID		
				SR 528 WB	ORANGE			15



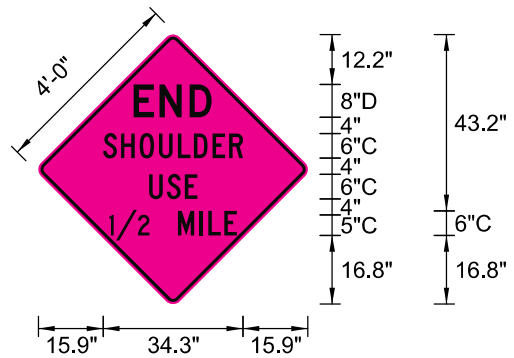
REVISIONS				STATE OF FLORIDA DEPARTMENT OF TRANSPORTATION	PLAN SHEETS (10) LAYOUT FOR END SHOULDER USE	SHEET NO. 16
DATE	DESCRIPTION	DATE	DESCRIPTION			



MATCH LINE - H

REVISIONS				STATE OF FLORIDA DEPARTMENT OF TRANSPORTATION			PLAN SHEETS (11) LAYOUT FOR END SHOULDER USE	SHEET NO.
DATE	DESCRIPTION	DATE	DESCRIPTION	ROAD NO.	COUNTY	FINANCIAL PROJECT ID		17
				SR 528 WB	ORANGE			

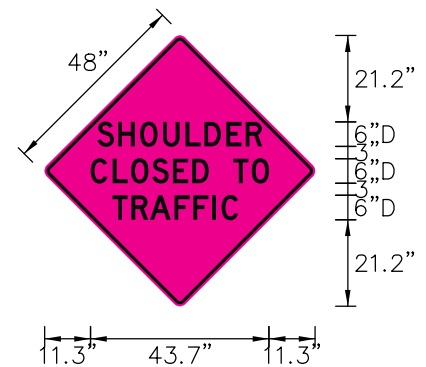
SIGN NAME	SIGN I25	QTY	SIGN NUMBER	STATION(S)
PANEL	BORDER			none
WIDTH	5'-6"	WIDTH	0.75"	
HEIGHT	5'-6"	RADII	1.38"	
LEGEND	Black	COLOR	Black	
COLOR	Fluorescent Pink			
SYMBOL(S)	ANGLE	X	Y	WID
				HT
SIGN NUMBER	NUMBER OF POSTS	CLEARANCE Edge Of Lane	COLUMN SIZE	AVERAGE LENGTH



NO. OF LIGHT FIXTURES	FIXTURE SPACING	PHOTOMETRIC CURVE	WATT	VOLTAGE

COPY		E	N	D	L									
SPACE	23.4	6.3	7.4	5.4	23.5	19.1								
COPY		S	H	O	U	L	D	E	R	L				
SPACE	15.9	4.4	4.6	4.7	4.7	3.9	4.6	4.1	3.4	15.9	34.3			
COPY		U	S	E	L									
SPACE	27.1	4.4	4.4	3.1	27.1	11.8								
COPY		1	/	2		M	I	L	E	L				
SPACE	17.4	1.6	5.4	2.8	5	2	5.3	2.2	3.9	3.1	17.4	31.2		
COPY														
SPACE														
COPY														
SPACE														

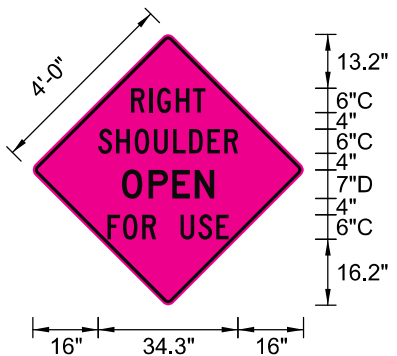
SIGN NAME	SIGN I02	QTY	SIGN NUMBER	STATION(S)
PANEL	BORDER			none
WIDTH	5'-6"	WIDTH	0"	
HEIGHT	5'-6"	RADII	0"	
LEGEND	Black	COLOR	Black	
COLOR	Fluorescent Pink			
SYMBOL(S)	ANGLE	X	Y	WID
				HT
SIGN NUMBER	NUMBER OF POSTS	CLEARANCE Edge Of Lane	COLUMN SIZE	AVERAGE LENGTH



NO. OF LIGHT FIXTURES	FIXTURE SPACING	PHOTOMETRIC CURVE	WATT	VOLTAGE

COPY	S	H	O	U	L	D	E	R	L					
SPACE	12.9	18	23.4	29	34.5	39.2	44.6	49.3	40.4					
COPY	C	L	O	S	E	D	T	O	L					
SPACE	11.3	16.7	21.2	26.4	31.5	36.2	40.3	46.3	50.8	43.7				
COPY	T	R	A	F	F	I	C	L						
SPACE	16.7	21.3	25.8	31.8	36.5	41.1	43.4	30.8						
COPY														
SPACE														
COPY														
SPACE														

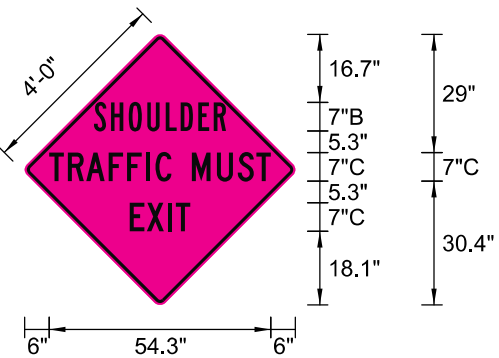
SIGN NAME	SIGN I05	QTY	SIGN NUMBER	STATION(S)
PANEL	BORDER			none
WIDTH	5'-6"	WIDTH	0.75"	
HEIGHT	5'-6"	RADII	1.38"	
LEGEND	Black	COLOR	Black	
COLOR	Fluorescent Pink			
SYMBOL(S)	ANGLE	X	Y	WID
				HT
SIGN NUMBER	NUMBER OF POSTS	CLEARANCE Edge Of Lane	COLUMN SIZE	AVERAGE LENGTH



NO. OF LIGHT FIXTURES	FIXTURE SPACING	PHOTOMETRIC CURVE	WATT	VOLTAGE

COPY		R	I	G	H	T	L							
SPACE	24	4.4	2	4.6	4.2	3.1	24	18.2						
COPY		S	H	O	U	L	D	E	R	L				
SPACE	16	4.4	4.6	4.7	4.7	3.9	4.6	4.1	3.4	16	34.3			
COPY		O	P	E	N	L								
SPACE	21.9	6.5	5.8	5.5	4.8	21.9	22.6							
COPY		F	O	R	U	S	E	L						
SPACE	18.3	3.8	4.7	3.4	6	4.4	4.4	3.1	18.3	29.7				
COPY														
SPACE														
COPY														
SPACE														

SIGN NAME	SIGN I20	QTY	SIGN NUMBER	STATION(S)
PANEL	BORDER			none
WIDTH	5'-6"	WIDTH	0.75"	
HEIGHT	5'-6"	RADII	1.38"	
LEGEND	Black	COLOR	Black	
COLOR	Fluorescent Pink			
SYMBOL(S)	ANGLE	X	Y	WID
				HT
SIGN NUMBER	NUMBER OF POSTS	CLEARANCE Edge Of Lane	COLUMN SIZE	AVERAGE LENGTH



NO. OF LIGHT FIXTURES	FIXTURE SPACING	PHOTOMETRIC CURVE	WATT	VOLTAGE

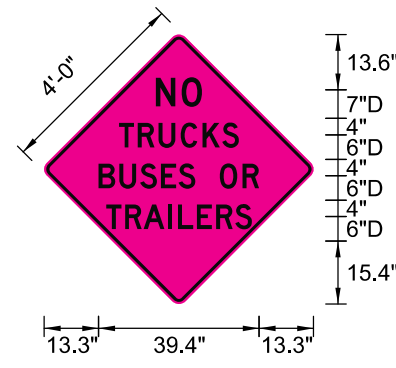
COPY	S	H	O	U	L	D	E	R	L					
SPACE	17	4.1	4.3	4.6	4.5	3.6	4.3	3.8	3	17	32.3			
COPY	T	R	A	F	F	I	C	M	U	S	T	L		
SPACE	6	4.5	4.6	5.5	4.6	4.5	2.4	3.9	5	6.2	5.1	4.5	3.6	6
COPY	E	X	I	T	L									
SPACE	25.7	4.2	5.1	2	3.6	25.7	14.8							
COPY														
SPACE														
COPY														
SPACE														

REVISIONS			
DATE	DESCRIPTION	DATE	DESCRIPTION

STATE OF FLORIDA DEPARTMENT OF TRANSPORTATION		
ROAD NO.	COUNTY	FINANCIAL PROJECT ID
SR 528 WB	ORANGE	

SIGN DETAILS (01)	SHEET NO.
	18

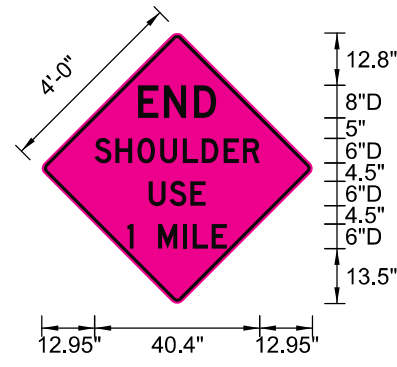
SIGN NAME	SIGN 109	QTY	SIGN NUMBER	STATION(S)	
PANEL	BORDER			none	
WIDTH	5'-6"	WIDTH	0.75"		
HEIGHT	5'-6"	RADII	1.38"		
LEGEND	Black	COLOR	Black		
COLOR	Fluorescent Pink				
SYMBOL(S)	ANGLE	X	Y	WID	HT
SIGN NUMBER	NUMBER OF POSTS	CLEARANCE Edge Of Lane	COLUMN SIZE	AVERAGE LENGTH	



NO. OF LIGHT FIXTURES	FIXTURE SPACING	PHOTOMETRIC CURVE	WATT	VOLTAGE

COPY		N	O	L					
SPACE	27.4	6.3	5	27.4	11.3				
COPY		T	R	U	C	K	S	L	
SPACE	18.3	4.6	5.1	5.4	5.4	4.8	4.1	18.3	29.4
COPY		B	U	S	E	S	O	R	L
SPACE	13.3	5.1	5.1	5.1	4.3	4.1	6	5.6	4.1
COPY		T	R	A	I	L	E	R	S
SPACE	15.2	4.6	4.6	6	2.4	4.6	4.7	4.7	4.1
COPY									
SPACE									
COPY									
SPACE									

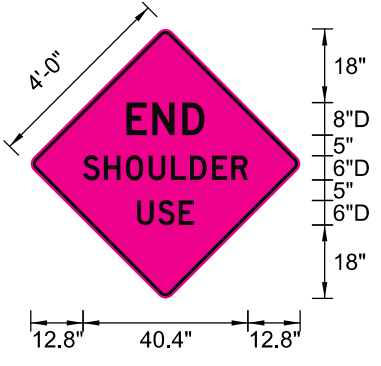
SIGN NAME	SIGN 115	QTY	SIGN NUMBER	STATION(S)	
PANEL	BORDER			none	
WIDTH	5'-6"	WIDTH	0.75"		
HEIGHT	5'-6"	RADII	1.38"		
LEGEND	Black	COLOR	Black		
COLOR	Fluorescent Pink				
SYMBOL(S)	ANGLE	X	Y	WID	HT
SIGN NUMBER	NUMBER OF POSTS	CLEARANCE Edge Of Lane	COLUMN SIZE	AVERAGE LENGTH	



NO. OF LIGHT FIXTURES	FIXTURE SPACING	PHOTOMETRIC CURVE	WATT	VOLTAGE

COPY		E	N	D	L				
SPACE	23.6	6.3	7.4	5.4	23.6	19.1			
COPY		S	H	O	U	L	D	E	R
SPACE	12.9	5.1	5.4	5.6	5.5	4.6	5.4	4.7	4.1
COPY		U	S	E	L				
SPACE	26.2	5.1	5.1	3.7	26.2	13.9			
COPY		I	M	I	L	E	L		
SPACE	21	1.5	6	6.1	2.4	4.6	3.7	21	24.4
COPY									
SPACE									
COPY									
SPACE									

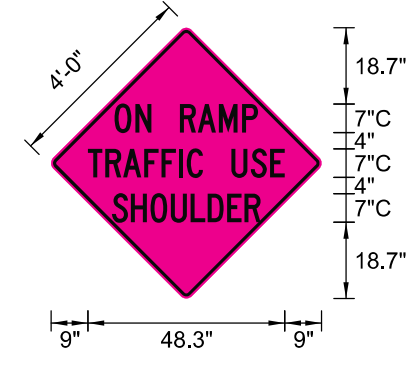
SIGN NAME	SIGN 114	QTY	SIGN NUMBER	STATION(S)	
PANEL	BORDER			none	
WIDTH	5'-6"	WIDTH	0.75"		
HEIGHT	5'-6"	RADII	1.38"		
LEGEND	Black	COLOR	Black		
COLOR	Fluorescent Pink				
SYMBOL(S)	ANGLE	X	Y	WID	HT
SIGN NUMBER	NUMBER OF POSTS	CLEARANCE Edge Of Lane	COLUMN SIZE	AVERAGE LENGTH	



NO. OF LIGHT FIXTURES	FIXTURE SPACING	PHOTOMETRIC CURVE	WATT	VOLTAGE

COPY		E	N	D	L				
SPACE	23.4	6.3	7.4	5.4	23.4	19.1			
COPY		S	H	O	U	L	D	E	R
SPACE	12.8	5.1	5.4	5.6	5.5	4.6	5.4	4.7	4.1
COPY		U	S	E	L				
SPACE	26	5.1	5.1	3.7	26	13.9			
COPY									
SPACE									
COPY									
SPACE									

SIGN NAME	SIGN 108	QTY	SIGN NUMBER	STATION(S)	
PANEL	BORDER			none	
WIDTH	5'-6"	WIDTH	0.75"		
HEIGHT	5'-6"	RADII	1.38"		
LEGEND	Black	COLOR	Black		
COLOR	Fluorescent Pink				
SYMBOL(S)	ANGLE	X	Y	WID	HT
SIGN NUMBER	NUMBER OF POSTS	CLEARANCE Edge Of Lane	COLUMN SIZE	AVERAGE LENGTH	



NO. OF LIGHT FIXTURES	FIXTURE SPACING	PHOTOMETRIC CURVE	WATT	VOLTAGE

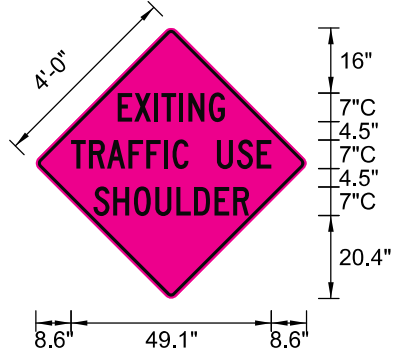
COPY		O	N	R	A	M	P	L	
SPACE	15.6	5.1	3.9	7	4.4	5.2	3.9	15.6	35.2
COPY		T	R	A	F	F	I	C	U
SPACE	9	4.3	4.4	5.2	4.3	4.3	2	3.9	7
COPY		S	H	O	U	L	D	E	R
SPACE	15	4.6	4.8	5	4.9	4.2	4.8	4.3	3.9
COPY									
SPACE									
COPY									
SPACE									

REVISIONS			
DATE	DESCRIPTION	DATE	DESCRIPTION

STATE OF FLORIDA DEPARTMENT OF TRANSPORTATION		
ROAD NO.	COUNTY	FINANCIAL PROJECT ID
SR 528 WB	ORANGE	

SIGN DETAILS (02)	
19	

SIGN NAME	SIGN I13	QTY	SIGN NUMBER	STATION(S)	
PANEL	BORDER			none	
WIDTH	5'-6"	WIDTH	0.75"		
HEIGHT	5'-6"	RADII	1.38"		
LEGEND	Black	COLOR	Black		
COLOR	Fluorescent Pink				
SYMBOL(S)	ANGLE	X	Y	WID	HT
SIGN NUMBER	NUMBER OF POSTS	CLEARANCE Edge Of Lane	COLUMN SIZE	AVERAGE LENGTH	



NO. OF LIGHT FIXTURES	FIXTURE SPACING	PHOTOMETRIC CURVE	WATT	VOLTAGE

COPY	SPACE	E	X	I	T	I	N	G	L						
		20.1	4.1	4.9	1.8	4.4	2.2	5	3.9	20	26.3				
COPY	SPACE	T	R	A	F	F	I	C	U	S	E	L			
		8.6	4.4	4.4	5.3	4.4	4.4	2.1	3.9	7	4.9	4.9	3.6	8.6	49.1
COPY	SPACE	S	H	O	U	L	D	E	R	L					
		14.1	4.9	5	5.3	5.2	4.4	5	4.5	3.9	14.1	38.1			

SIGN NAME	SIGN I13	QTY	SIGN NUMBER	STATION(S)	
PANEL	BORDER				
WIDTH	WIDTH				
HEIGHT	RADII				
LEGEND	COLOR				
COLOR					
SYMBOL(S)	ANGLE	X	Y	WID	HT
SIGN NUMBER	NUMBER OF POSTS	CLEARANCE Edge Of Lane	COLUMN SIZE	AVERAGE LENGTH	

SPACE INTENTIONALLY LEFT BLANK

NO. OF LIGHT FIXTURES	FIXTURE SPACING	PHOTOMETRIC CURVE	WATT	VOLTAGE

COPY	SPACE
COPY	SPACE
COPY	SPACE
COPY	SPACE
COPY	SPACE
COPY	SPACE
COPY	SPACE

SIGN NAME	SIGN I13	QTY	SIGN NUMBER	STATION(S)	
PANEL	BORDER				
WIDTH	WIDTH				
HEIGHT	RADII				
LEGEND	COLOR				
COLOR					
SYMBOL(S)	ANGLE	X	Y	WID	HT
SIGN NUMBER	NUMBER OF POSTS	CLEARANCE Edge Of Lane	COLUMN SIZE	AVERAGE LENGTH	

SPACE INTENTIONALLY LEFT BLANK

NO. OF LIGHT FIXTURES	FIXTURE SPACING	PHOTOMETRIC CURVE	WATT	VOLTAGE

COPY	SPACE
COPY	SPACE
COPY	SPACE
COPY	SPACE
COPY	SPACE
COPY	SPACE

SIGN NAME	SIGN I13	QTY	SIGN NUMBER	STATION(S)	
PANEL	BORDER				
WIDTH	WIDTH				
HEIGHT	RADII				
LEGEND	COLOR				
COLOR					
SYMBOL(S)	ANGLE	X	Y	WID	HT
SIGN NUMBER	NUMBER OF POSTS	CLEARANCE Edge Of Lane	COLUMN SIZE	AVERAGE LENGTH	

SPACE INTENTIONALLY LEFT BLANK

NO. OF LIGHT FIXTURES	FIXTURE SPACING	PHOTOMETRIC CURVE	WATT	VOLTAGE

COPY	SPACE
COPY	SPACE
COPY	SPACE
COPY	SPACE
COPY	SPACE
COPY	SPACE

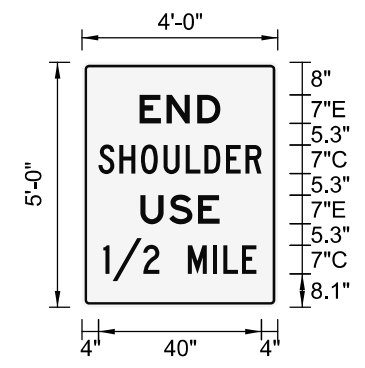
REVISIONS			
DATE	DESCRIPTION	DATE	DESCRIPTION

STATE OF FLORIDA DEPARTMENT OF TRANSPORTATION		
ROAD NO.	COUNTY	FINANCIAL PROJECT ID
SR 528 WB	ORANGE	

SHEET NO.
20

SIGN DETAILS (03)

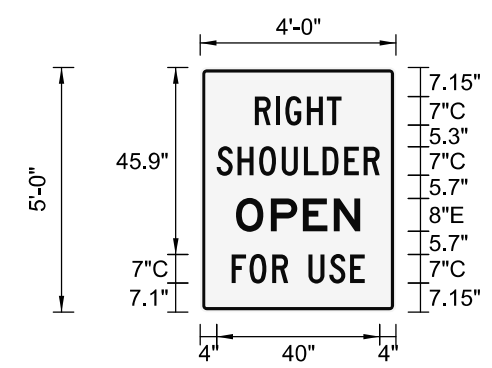
SIGN NAME	SIGN 225	QTY	SIGN NUMBER	STATION(S)	
PANEL	BORDER			none	
WIDTH	4'-0"	WIDTH	0.75"		
HEIGHT	5'-0"	RADII	1.13"		
LEGEND	Black	COLOR	Black		
COLOR	White				
SYMBOL(S)	ANGLE	X	Y	WID	HT
SIGN NUMBER	NUMBER OF POSTS	CLEARANCE Edge Of Lane	COLUMN SIZE	AVERAGE LENGTH	



NO. OF LIGHT FIXTURES	FIXTURE SPACING	PHOTOMETRIC CURVE	WATT	VOLTAGE

COPY	SPACE	E	N	D	L						
	14.1	6.6	7.5	5.7	14.1	19.8					
COPY	SPACE	S	H	O	U	L	D	E	R	L	
	4	5.1	5.3	5.5	5.5	4.6	5.3	4.8	3.9	4	40
COPY	SPACE	U	S	E	L						
	14.3	7.1	7.1	5.2	14.3	19.4					
COPY	SPACE	1	/	2	M	I	L	E	L		
	5.2	2.2	7.6	3.9	7	6.2	2.5	4.5	3.6	5.2	37.5
COPY	SPACE										
COPY	SPACE										
COPY	SPACE										

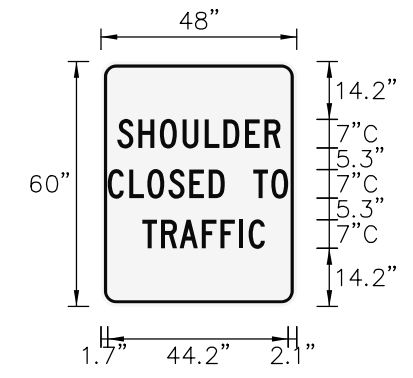
SIGN NAME	SIGN 205	QTY	SIGN NUMBER	STATION(S)	
PANEL	BORDER			none	
WIDTH	4'-0"	WIDTH	0.75"		
HEIGHT	5'-0"	RADII	1.13"		
LEGEND	Black	COLOR	Black		
COLOR	White				
SYMBOL(S)	ANGLE	X	Y	WID	HT
SIGN NUMBER	NUMBER OF POSTS	CLEARANCE Edge Of Lane	COLUMN SIZE	AVERAGE LENGTH	



NO. OF LIGHT FIXTURES	FIXTURE SPACING	PHOTOMETRIC CURVE	WATT	VOLTAGE

COPY	SPACE	R	I	G	H	T	L				
	13.4	5.1	2.4	5.3	4.9	3.6	13.4	21.3			
COPY	SPACE	S	H	O	U	L	D	E	R	L	
	4	5.1	5.3	5.5	5.5	4.6	5.3	4.8	3.9	4	40
COPY	SPACE	O	P	E	N	L					
	8.8	8.6	7.8	7.6	6.5	8.8	30.5				
COPY	SPACE	F	O	R	U	S	E	L			
	7.7	4.4	5.5	3.9	5	5.1	5.1	3.6	7.7	32.7	
COPY	SPACE										
COPY	SPACE										
COPY	SPACE										

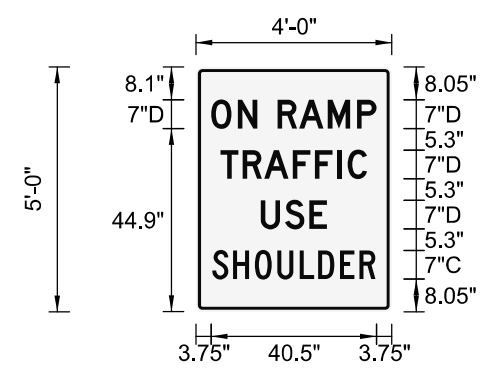
SIGN NAME	SIGN 202	QTY	SIGN NUMBER	STATION(S)	
PANEL	BORDER			none	
WIDTH	4'-0"	WIDTH	0.75"		
HEIGHT	5'-0"	RADII	3"		
LEGEND	Black	COLOR	Black		
COLOR	White				
SYMBOL(S)	ANGLE	X	Y	WID	HT
SIGN NUMBER	NUMBER OF POSTS	CLEARANCE Edge Of Lane	COLUMN SIZE	AVERAGE LENGTH	



NO. OF LIGHT FIXTURES	FIXTURE SPACING	PHOTOMETRIC CURVE	WATT	VOLTAGE

COPY	SPACE	S	H	O	U	L	D	E	R	L
	4	9.1	14.5	20	25.5	30	35.3	40.1		40
COPY	SPACE	C	L	O	S	E	D	T	O	L
	1.7	7	11.4	16.6	21.7	26.4	30.4	37.4	41.8	44.2
COPY	SPACE	T	R	A	F	F	I	C	L	
	10.2	14.7	19.3	24.7	29.3	33.8	36.2		30	
COPY	SPACE									
COPY	SPACE									
COPY	SPACE									

SIGN NAME	SIGN 208	QTY	SIGN NUMBER	STATION(S)	
PANEL	BORDER			none	
WIDTH	4'-0"	WIDTH	0.75"		
HEIGHT	5'-0"	RADII	1.13"		
LEGEND	Black	COLOR	Black		
COLOR	White				
SYMBOL(S)	ANGLE	X	Y	WID	HT
SIGN NUMBER	NUMBER OF POSTS	CLEARANCE Edge Of Lane	COLUMN SIZE	AVERAGE LENGTH	



NO. OF LIGHT FIXTURES	FIXTURE SPACING	PHOTOMETRIC CURVE	WATT	VOLTAGE

COPY	SPACE	O	N	R	A	M	P	L			
	3.8	6.5	4.8	5	5.3	7	7.1	4.8	3.8	40.5	
COPY	SPACE	T	R	A	F	F	I	C	L		
	6	5.4	5.3	7	5.4	5.4	2.7	4.8	6	35.9	
COPY	SPACE	U	S	E	L						
	15.9	5.9	6	4.3	15.9	16.2					
COPY	SPACE	S	H	O	U	L	D	E	R	L	
	4	5.1	5.3	5.5	5.5	4.5	5.3	4.8	3.9	4	40
COPY	SPACE										
COPY	SPACE										
COPY	SPACE										

REVISIONS			
DATE	DESCRIPTION	DATE	DESCRIPTION

STATE OF FLORIDA DEPARTMENT OF TRANSPORTATION		
ROAD NO.	COUNTY	FINANCIAL PROJECT ID
SR 528 WB	ORANGE	

SHEET NO.
21

SIGN DETAILS (04)

