

STATE OF FLORIDA
DEPARTMENT OF TRANSPORTATION

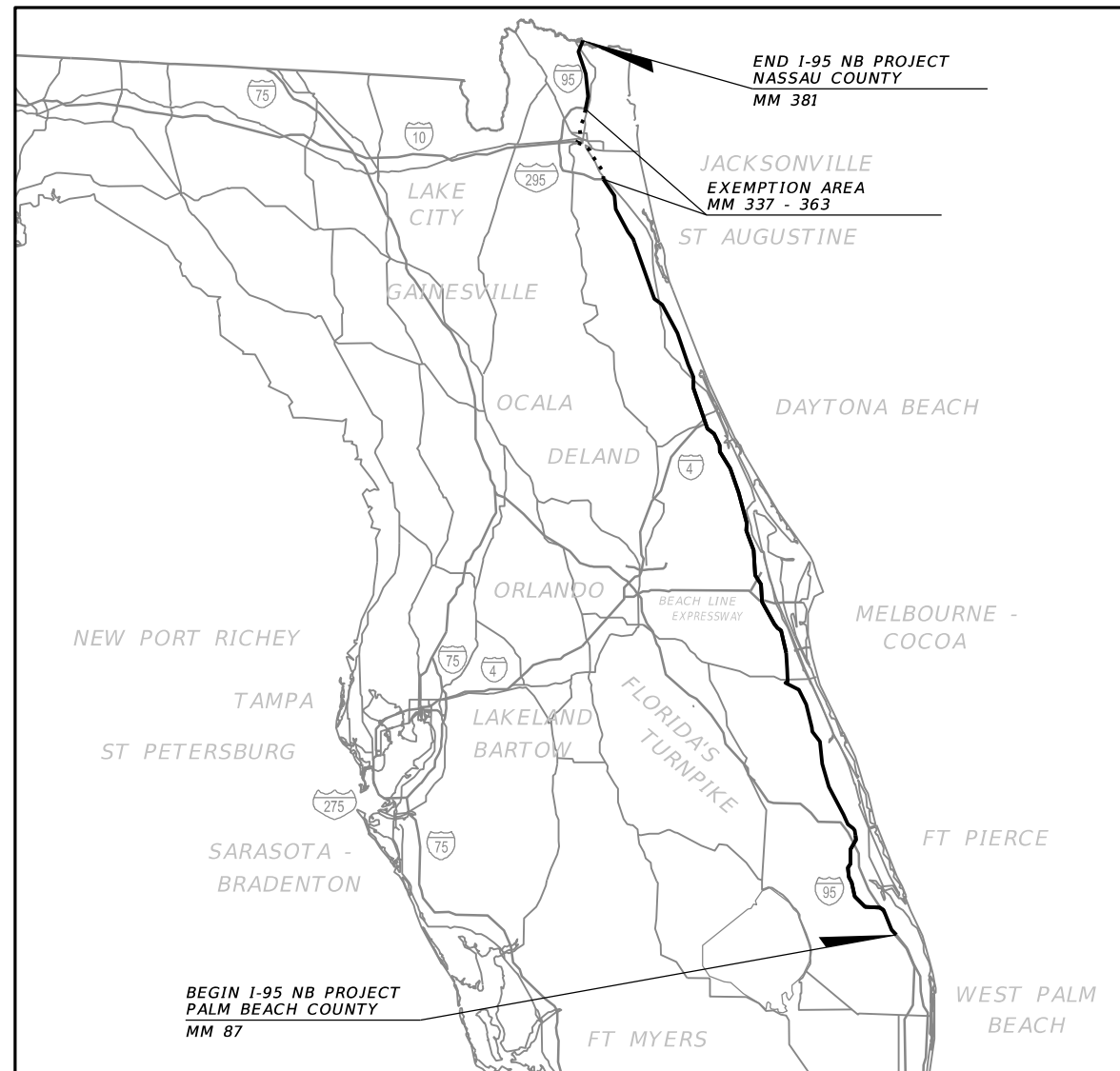
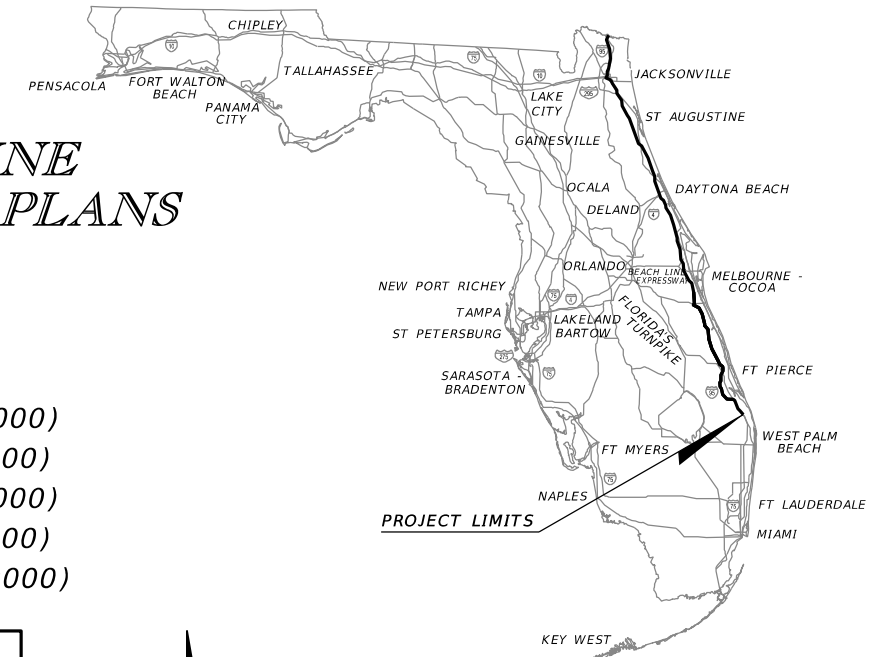
***I-95 NORTHBOUND - JUPITER TO STATE LINE
EMERGENCY SHOULDER USE (ESU) CONCEPT PLANS
2021 (LEFT SHOULDER USE ONLY)***

INDEX OF SHOULDER USE CONCEPT PLANS

SHEET NO.	SHEET DESCRIPTION
1	KEY SHEET
2	GENERAL NOTES AND SUMMARY OF QUANTITIES
3-5	FEATURE TABULATION
6	TYPICAL SIGN PLACEMENT
7-12	PROJECT LAYOUT
13-15	PLAN SHEETS
16-19	SIGN DETAILS

STATE ROAD NO. 9 (I-95)

NASSAU COUNTY	(74160000)	DUVAL COUNTY	(72020000)
ST. JOHNS COUNTY	(78080000)	FLAGLER COUNTY	(73001000)
VOLUSIA COUNTY	(79002000)	BREVARD COUNTY	(70225000)
INDIAN RIVER COUNTY	(88081000)	ST. LUCIE COUNTY	(94001000)
MARTIN COUNTY	(89095000)	PALM BEACH COUNTY	(93220000)



06/09/2021

FISCAL YEAR	SHEET NO.
21	1

GENERAL NOTES





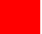
- THE PAVED SHOULDER WIDTH ALONG THIS CORRIDOR HAS BEEN FIELD VERIFIED TO BE AT LEAST 10'-0" MEASURED FROM THE EDGE OF THE PAVED SHOULDER OR FACE OF GUARDRAIL OR CONCRETE BARRIER WALL TO THE EDGE OF THE STRIPE. HOWEVER, IF CONSTRUCTION WORK OR OTHER CONDITION RESULTS IN A PAVED SHOULDER WIDTH, AT THE TIME OF IMPLEMENTATION, LESS THAN 10'-0" BUT AT LEAST 9'-0". SEE NARROW SHOULDER LAYOUT SHEET.
- IMPLEMENTATION OF SHOULDER USE MAY BE ALONG THE ENTIRE CORRIDOR OR ALONG SPECIFIC SECTIONS OF THE CORRIDOR.
- DEBRIS, ENCROACHING VEGETATION AND HAZARDS ON BOTH SHOULDERS SHALL BE REMOVED PRIOR TO IMPLEMENTATION OF SHOULDER USE.
- SIGNS MAY BE PERMANENT, TEMPORARY, OR PORTABLE INSTALLATIONS. IF PERMANENT OR TEMPORARY INSTALLATIONS ARE USED, THE SIGNS SHALL BE BLACK LEGEND ON WHITE BACKGROUND FOR REGULATORY SIGNS AND BLACK LEGEND ON YELLOW BACKGROUND FOR WARNING SIGNS. IF PORTABLE INSTALLATIONS ARE USED, THE SIGNS SHALL BE BLACK LEGEND ON FLUORESCENT PINK BACKGROUND. THE SIGN MESSAGES SHALL ONLY BE DISPLAYED UPON IMPLEMENTATION.
- DISTRICT SPECIFIC STANDARD OPERATING PROCEDURE (SOP) WILL BE DEVELOPED AND PROVIDED BY EACH FDOT DISTRICT. THESE WILL ADDRESS REQUIREMENTS AND STANDARD PROCEDURES FOR TEMPORARY AND PERMANENT SIGN INSTALLATIONS, EMERGENCY ASSISTANCE VEHICLE, LAW ENFORCEMENT OFFICER AND OTHER PERTINENT INFORMATION REGARDING THE IMPLEMENTATION OF SHOULDER USE FOR EMERGENCY EVACUATION PURPOSES.
- UNLESS OTHER TRAFFIC INCIDENT MANAGEMENT MESSAGES TAKE PRECEDENCE, THE DEFAULT MESSAGE ON THE PERMANENT DMS SHALL BE SINGLE- PHASE, THREE -LINE MESSAGE:

LEFT SHOULDER OPEN FOR USE - NO TRUCKS BUSES OR TRAILERS

IF REQUIRED, USE OF ABBREVIATED TEXT IS ALLOWED PER MANUAL ON UNIFORM TRAFFIC CONTROL DEVICES (MUTCD) SECTION 1A.

- DMS - DYNAMIC MESSAGE SIGN
PCMS - PORTABLE CHANGEABLE MESSAGE SIGN
EAV - EMERGENCY ASSISTANCE VEHICLE
LEO - LAW ENFORCEMENT OFFICER
- CHANNELIZING DEVICES MAY BE TRAFFIC CONES, PLASTIC DRUMS OR TUBULAR MARKERS.
- SIGNS AND TEMPORARY MOUNTS SHALL BE ON THE APPROVED PRODUCTS LIST (APL).
- ESU SHOULD ONLY BE IMPLEMENTED IN DRY CONDITIONS. IF RAIN OR FOG EXISTS, ESU SHOULD BE TERMINATED UNTIL FURTHER GUIDANCE IS PROVIDED BY THE STATE TRAFFIC ENGINEERING AND OPERATIONS OFFICE.

LEGEND

-  EMERGENCY ASSISTANCE VEHICLE (SHOWN FOR INFORMATION ONLY)
-  LAW ENFORCEMENT OFFICER (LEO) (FIXED POSITIONS)
-  PORTABLE CHANGEABLE MESSAGE SIGN (PCMS)
-  TEMPORARY STATIC SIGN
-  CHANNELIZING DEVICE

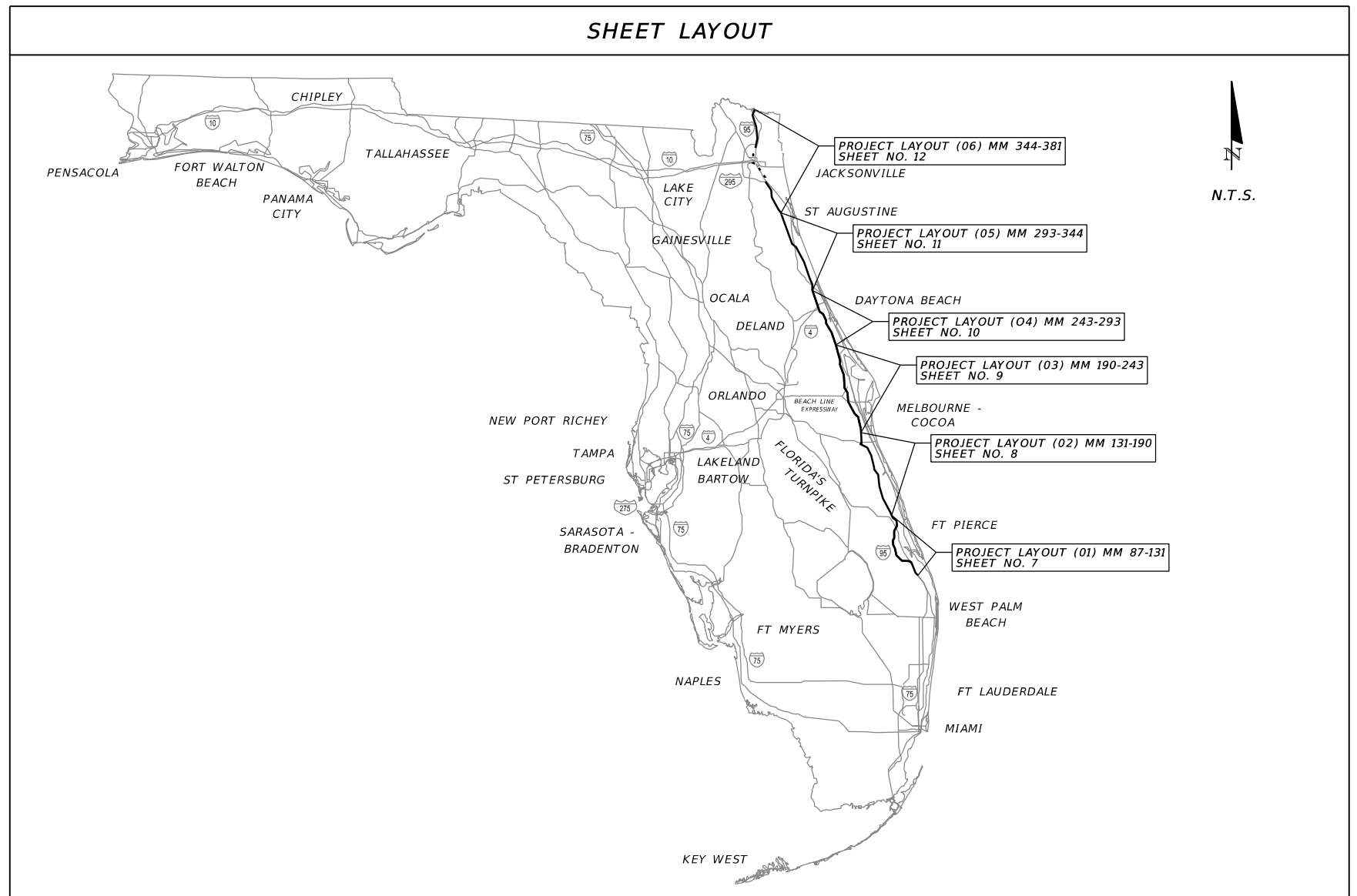
TABULATION OF QUANTITIES

LOCATIONS	NUMBER	LAW ENFORCEMENT OFFICER (LEO)	EMERGENCY ASSISTANCE VEHICLE (EAV)	PORTABLE CHANGEABLE MESSAGE SIGN (PCMS)	TEMP. STATIC SIGN	CHANNELIZING DEVICES
BEGIN	1	1	1	2	1	0
END	1	1	1	1	5	0
EXEMPTION AREA	1	2	2	3	6	0
INTERCHANGE	51	0	0	0	96	0
REST AREA/WEIGH STATION	7	0	0	0	0	0
NARROW SHOULDER	5	0	0	0	21	0
TOTAL		4	4	6	135	0

NOTES:

- LAW ENFORCEMENT OFFICER (LEO) LOCATIONS SHOWN ON THE PLANS ARE FIXED LOCATIONS AND DO NOT ACCOUNT FOR ADDITIONAL SUPPORT ACTIVITIES OR PATROLLING ACTIVITIES.
- EMERGENCY ASSISTANCE VEHICLE (EAV) LOCATIONS SHOWN ON THE PLANS DO NOT ACCOUNT FOR ADDITIONAL SUPPORT ACTIVITIES.

SHEET LAYOUT



REVISIONS				STATE OF FLORIDA DEPARTMENT OF TRANSPORTATION			GENERAL NOTES AND SUMMARY OF QUANTITIES	SHEET NO. 2
DATE	DESCRIPTION	DATE	DESCRIPTION	ROAD NO.	COUNTY	FINANCIAL PROJECT ID		
				SR 9 (NB)	ALL COUNTIES IN PROJECT LIMITS			

CONSTRUCTION PROJECTS

FPID	DISTRICT	COUNTY	DESCRIPTION	MM BEGIN	MM END	START DATE	END DATE	ESU IMPACT (DURING 2021 HURRICANE SEASON)	ESU IMPACT (OUTSIDE 2021 HURRICANE SEASON)	DESIGN VARIATION
434273-3	4	PALM BEACH	SR-9/I-95 FROM SR-706/INDIANTOWN RD TO PALM BEACH/MARTIN COUNTY LINE	86	88	SEP-20	FEB-22			
434273-4	4	MARTIN	SR-9/I-95 FROM PALM BEACH/MARTIN CO LINE TO CR-708 INTERCHANGE	88	96	SEP-20	FEB-22			
441313-1	4	MARTIN	SR-9/I-95 @ CR-708/SE BRIDGE ROAD INTERCHANGE	96	96	NOV-20	APR-23			
441314-1	4	ST. LUCIE	SR-9/I-95 @ BECKER ROAD INTERCHANGE	114	114	SEP-21	SEP-22			
435337-1	4	ST. LUCIE	SR-9/I-95 AT ST LUCIE WEST BLVD	121	121.5	OCT-21	APR-23			
N/A	5	BREVARD	BRIGHTLINE (BLT) PERMIT - TRAIN LINE CONSTRUCTION (PINCH POINT)	204.5	205	APR-21	TBD		X	PERMIT
242715-5	5	VOLUSIA	I-95 0.5 MILES N OF SR-44 TO 1.6 MILES N OF US-92	249	262.9	SEP-20	SEP-21			
441133-1	5	VOLUSIA	I-95/SR-9 FROM S. OF DUNN AVENUE TO AIRPORT ROAD	263	269	APR-21	FEB-22		X	
439131-1	5	VOLUSIA	I-95/SR-9 FROM S OF BRIDGE 790079 TO FLAGLER CO LINE	269	278	FEB-20	MAY-21			
445309-1	5	FLAGLER	FLAGLER WEIGH STATION - SIGNING AND PAVEMENT MARKINGS	285	286	MAR-21	JUL-21			
445309-2	5	FLAGLER	FLAGLER WEIGH STATION - LIGHTING AND ELECTRICAL	285	286	AUG-21	MAR-22			
434619-1	2	ST. JOHNS	I-95(SR-9) FROM FLAGLER C/L TO SR-207	297.5	311	MAY-20	DEC-21			
434615-1	2	ST. JOHNS	I-95(SR-9) FROM SR-207 TO INTL GOLF PARKWAY	311	323	SEP-21	FY-24			
434615-2	2	ST. JOHNS	I-95(SR-9) @ SR-16 INTERCHANGE	318	318	JUN-21	FY-24			
441200-1	2	NASSAU	I-95 NB & SB (SR-9) TIDE CREEK BRIDGE NO740033 & NO740074	371	371	MAR-21	DEC-21			
441998-3	2	NASSAU	YULEE WEIGH STATION - LIGHTING AND ELECTRICAL	376.75	378.25	FEB-21	SEP-21			

* There is ESU Impact (indicated with an "X") when the shoulder cannot be returned to the existing condition and open an emergency travel lane within 24 hours of being notified of an emergency event. If work within the shoulder can be discontinued and the shoulder can be cleared and opened within 24 hours of being notified of an emergency event, there is no ESU impact.

LEO LOCATION ASSIGNMENT TABLE (FHP TROOPS)

NO.	LEO NUMBER	MILE MARKER	LOCATION
1	95NB-87	87	N. OF SR 706
2	95NB-337	337	S. OF I-295
3	95NB-363	363	N. OF AIRPORT RD
4	95NB-381	381	FL/GA STATE LINE

EAV LOCATION ASSIGNMENT TABLE

NO.	LEO NUMBER	MILE MARKER	LOCATION
1	95NB-87	87	N. OF SR 706
2	95NB-337	337	S. OF I-295
3	95NB-363	363	N. OF AIRPORT RD
4	95NB-381	381	FL/GA STATE LINE

TELEMETER TRAFFIC MONITORING SITE (TTMS)

NO.	DISTRICT	COUNTY	LOCATION	MILE MARKER	LIVE POLL	SHOULDER LOOP
1	4	MARTIN	0.1 MI S ST. LUCIE CO	113.8	YES	NO
2	4	ST. LUCIE	0.6 MI S OF SR 68/ORANGE AV	130.4	YES	YES
3	5	BREVARD	3.34 MI. S. OF SR-514	169.7	YES	NO
4	5	BREVARD	2 MI S OF SR-520,COCOA	199	YES	YES
5	5	BREVARD	0.9 MI S OF AURANTIA RD U/P	227.1	YES	YES
6	5	VOLUSIA	2.7 MI N OF SR44,@CR44 O/P	251.7	NO	YES
7	5	FLAGLER	1.4 MI S OF PALM COAST PKWY	287.6	NO	NO
8	2	DUVAL	2.5 MI S OF I-295 S INTERCHANGE	334.5	DAILY	NO
9	2	DUVAL	0.7 MI N OF UNIVERSITY BLVD,JAX	346.7	YES	YES
10	2	NASSAU	2.5 MI N OF HWY A1A,JAX	375.5	YES	NO
11	2	NASSAU	2.0 MI S OF GA. STATE LINE	380	DAILY	NO

REVISIONS

DATE	DESCRIPTION	DATE	DESCRIPTION

**STATE OF FLORIDA
DEPARTMENT OF TRANSPORTATION**

ROAD NO.	COUNTY	FINANCIAL PROJECT ID
SR 9 (NB)	ALL COUNTIES IN PROJECT LIMITS	

FEATURE TABULATION (01)

SHEET NO.

3

NARROW SHOULDER LOCATIONS					
COUNTY	DISTRICT	MILE POST	MILE MARKER	WIDTHS	RECOMMENDATIONS
MARTIN	4	8.596	97	9' - 11"	SEE NARROW SHOULDER LAYOUT SHEET
MARTIN	4	11.762	100	9' - 4"	SEE NARROW SHOULDER LAYOUT SHEET
MARTIN	4	14.423	103	9' - 4"	SEE NARROW SHOULDER LAYOUT SHEET
ST. JOHNS	2	7.941	305	9' - 6"	SEE NARROW SHOULDER LAYOUT SHEET
ST. JOHNS	2	14.953	312	9' - 6"	SEE NARROW SHOULDER LAYOUT SHEET
ST. JOHNS	2	33.46	331	9' - 6"	SEE NARROW SHOULDER LAYOUT SHEET

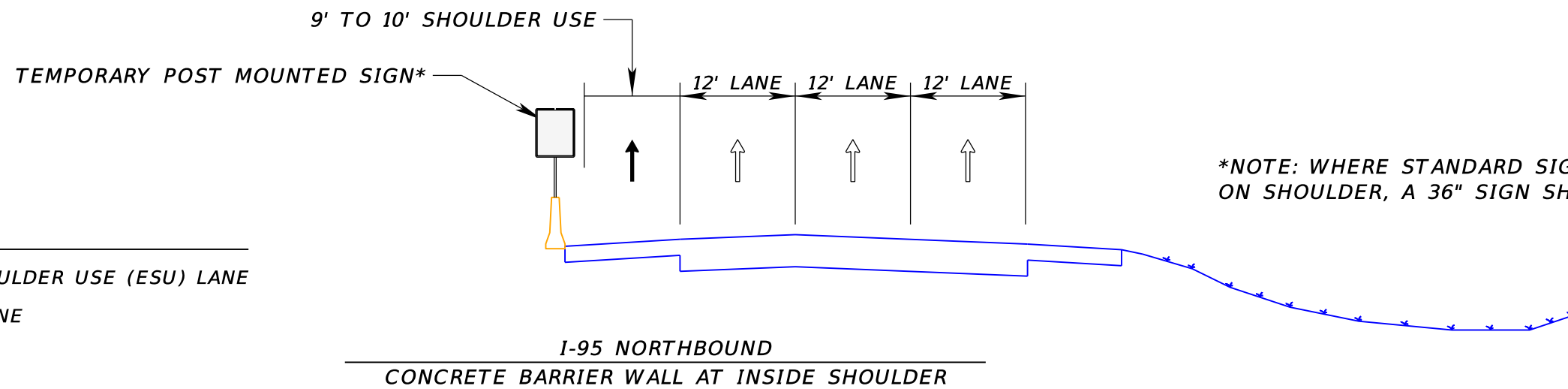
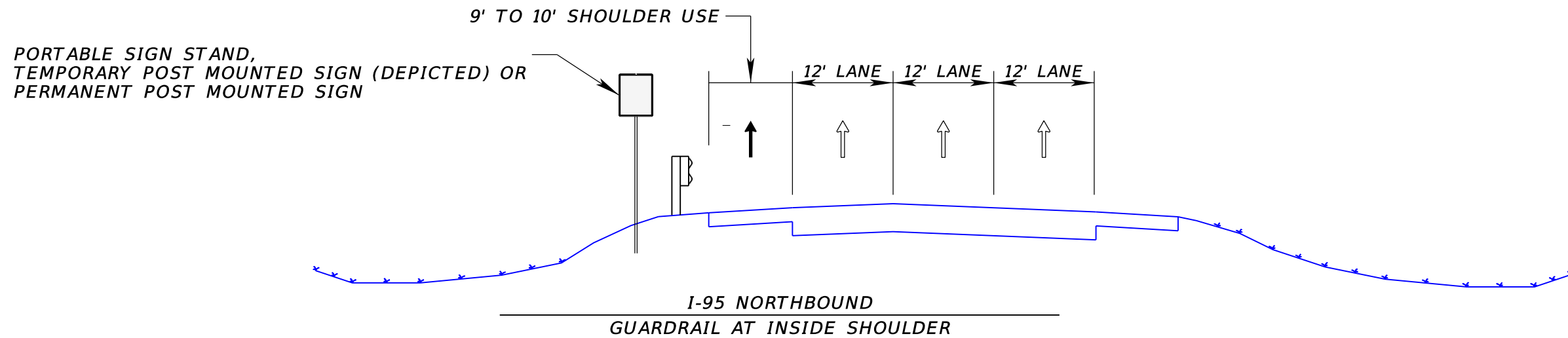
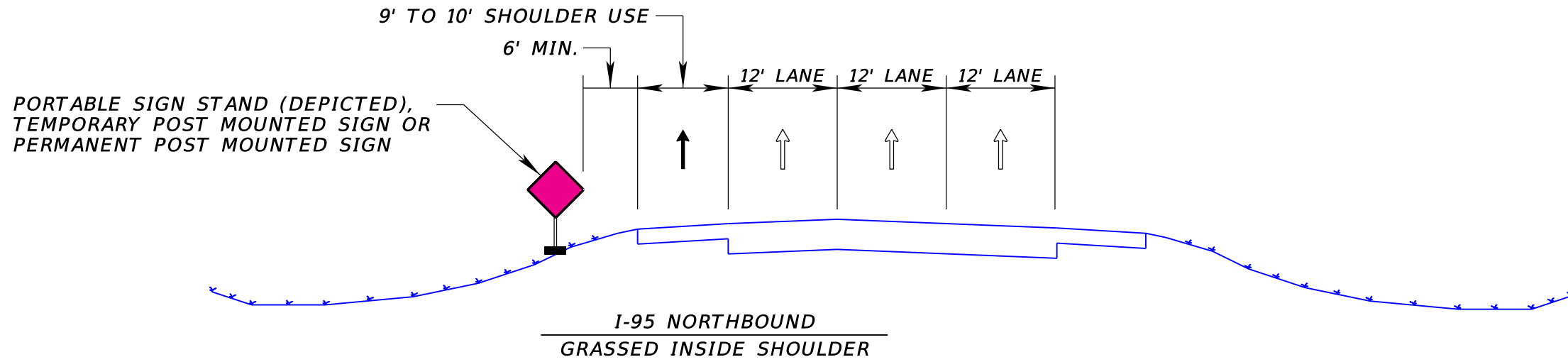
SUMMARY OF EMERGENCY CROSSOVERS			
COUNTY	DISTRICT	MILE POST	MILE MARKER
MARTIN	4	0.650	89
MARTIN	4	4.320	92
MARTIN	4	16.360	104
MARTIN (Unmarked)	4	18.530	107
ST. LUCIE	4	21.030	134
INDIAN RIVER	4	0.090	140
INDIAN RIVER	4	3.180	143
INDIAN RIVER	4	9.590	150
INDIAN RIVER	4	12.330	152
INDIAN RIVER	4	19.330	159
BREVARD	5	4.182	164
BREVARD	5	10.223	170
BREVARD	5	26.774	186
BREVARD	5	38.666	198
BREVARD	5	24.678	226
VOLUSIA	5	2.420	239.7
VOLUSIA	5	38.245	271
VOLUSIA	5	43.801	276
FLAGLER	5	2.626	281
FLAGLER	5	8.926	287
FLAGLER	5	13.980	292
FLAGLER	5	17.496	296
ST. JOHNS	2	4.236	301
ST. JOHNS	2	6.230	303
ST. JOHNS	2	10.947	308
ST. JOHNS	2	16.919	314
ST. JOHNS	2	23.873	321
ST. JOHNS	2	29.092	326
DUVAL	2	2.934	336
DUVAL	2	10.224	369
NASSAU	2	5.525	375
NASSAU	2	8.226	378
NASSAU	2	10.763	381

REVISIONS				STATE OF FLORIDA DEPARTMENT OF TRANSPORTATION	FEATURE TABULATION (02)	SHEET NO. 4
DATE	DESCRIPTION	DATE	DESCRIPTION			
				SR 9 (NB) ALL COUNTIES IN PROJECT LIMITS		

DYNAMIC MESSAGE SIGN (DMS)				
NO.	DISTRICT	COUNTY	LOCATION	MILE MARKER
1	4	MARTIN	95NB95	95
2	4	MARTIN	95NB108	108
3	4	ST. LUCIE	95NB127	127
4	4	ST. LUCIE	95NB136	136
5	4	INDIAN RIVER	95NB145	145
6	4	INDIAN RIVER	95NB154	154
7	5	BREVARD	I-95 NB @ MM 163.9	163.9
8	5	BREVARD	I-95 NB @ MM 171.9	171.9
9	5	BREVARD	I-95 NB @ MM 174.3	174.3
10	5	BREVARD	I-95 NB @ MM 178.3	178.3
11	5	BREVARD	I-95 NB @ MM 190.0	190
12	5	BREVARD	I-95 NB @ MM 193.2	193.2
13	5	BREVARD	I-95 NB @ MM 199.5	199.5
14	5	BREVARD	I-95 NB @ MM 203.8	203.8
15	5	BREVARD	I-95 NB @ MM 210.6	210.6
16	5	BREVARD	I-95 NB @ MM 212.9	212.9
17	5	BREVARD	I-95 NB @ MM 217.6	217.6
18	5	BREVARD	I-95 NB @ MM 222.5	222.5
19	5	BREVARD	I-95 NB @ MM 229.0	229
20	5	VOLUSIA	I-95 NB @ MM 243.0	243
21	5	VOLUSIA	I-95 NB @ MM 248.2	248.2
22	5	VOLUSIA	I-95 NB @ MM 253.8	253.8
23	5	VOLUSIA	I-95 NB @ MM 259.2	259.2
24	5	VOLUSIA	I-95 NB @ MM 265.8	265.8

DYNAMIC MESSAGE SIGN (DMS) CONTINUED				
NO.	DISTRICT	COUNTY	LOCATION	MILE MARKER
25	5	VOLUSIA	I-95 NB @ MM 270.4	270.4
26	5	FLAGLER	I-95 NB @ MM 281.6 WSTP	281.6
27	5	FLAGLER	DMS-195-296.5_S of US-1-NB	296.5
28	2	ST. JOHNS	DMS-195-298.9_S of SR-206-NB	298.9
29	2	ST. JOHNS	DMS-195-306.8_S of SR-207-NB	306.8
30	2	ST. JOHNS	DMS-195-316.1_S of SR-16-NB	316.1
31	2	ST. JOHNS	DMS-195-321.7_S of IGP-NB	321.7
32	2	ST. JOHNS	DMS-195-325.1_S of CR-210-NB	325.1
33	2	ST. JOHNS	DMS-195-330.9_St Johns Cnty-NB	330.9
34	2	DUVAL	DMS-195-333.6_S Old St Aug-NB	333.6
35	2	DUVAL	DMS-195-336.0_N Old St Aug-NB	336
36	2	DUVAL	DMS-195-340.1_N Southside-NB	340.1
37	2	DUVAL	DMS-195-342.1_N Baymeadows-NB	342.1
38	2	DUVAL	DMS-195-346.2_N University-NB	346.2
39	2	DUVAL	DMS-195-347.7_N Emerson-NB	347.7
40	2	DUVAL	DMS-195-349.1_DOWNTOWN COLLECTOR-NB	349.1
41	2	DUVAL	DMS-195-349.1_S Fuller Warren-NB	349.1
42	2	DUVAL	DMS-195-352.4_Church-NB	352.4
43	2	DUVAL	DMS-195-352.6_N Union-NB	352.6
44	2	DUVAL	DMS-195-354.3_Golfair-NB	354.3
45	2	DUVAL	DMS-195-360.0_N Dunn-NB	360
46	2	DUVAL	DMS-195-362.1-NB	362.1
47	2	DUVAL	DMS-195-365.0_S Pecan Pk-NB	365
48	2	NASSAU	DMS-195-371.4_S SR-200-NB	371.4
49	2	NASSAU	DMS-195-377.8_S US-17-NB	377.8

REVISIONS				STATE OF FLORIDA DEPARTMENT OF TRANSPORTATION	FINANCIAL PROJECT ID	FEATURE TABULATION (03)	SHEET NO.
DATE	DESCRIPTION	DATE	DESCRIPTION				
							SR 9 (NB)



*NOTE: WHERE STANDARD SIGN WILL ENCCROACH ON SHOULDER, A 36" SIGN SHOULD BE USED.

LEGEND

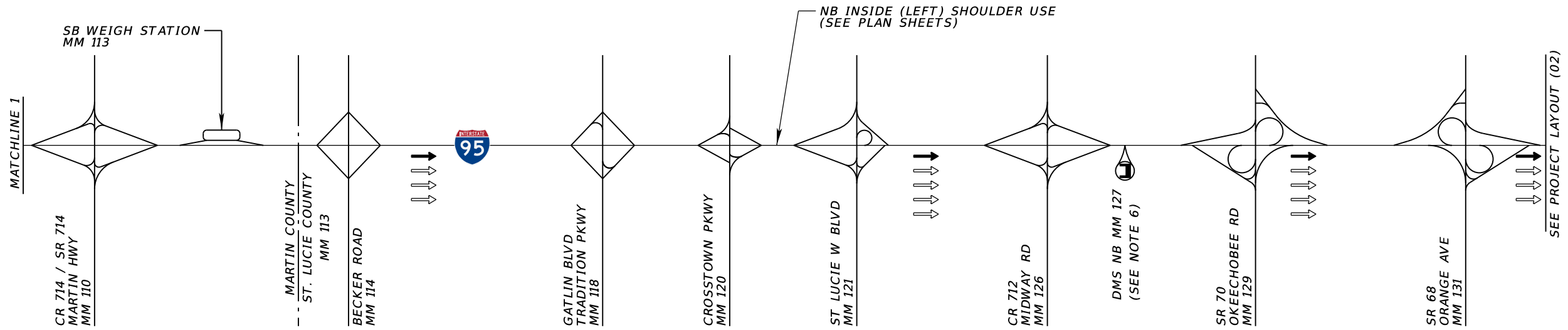
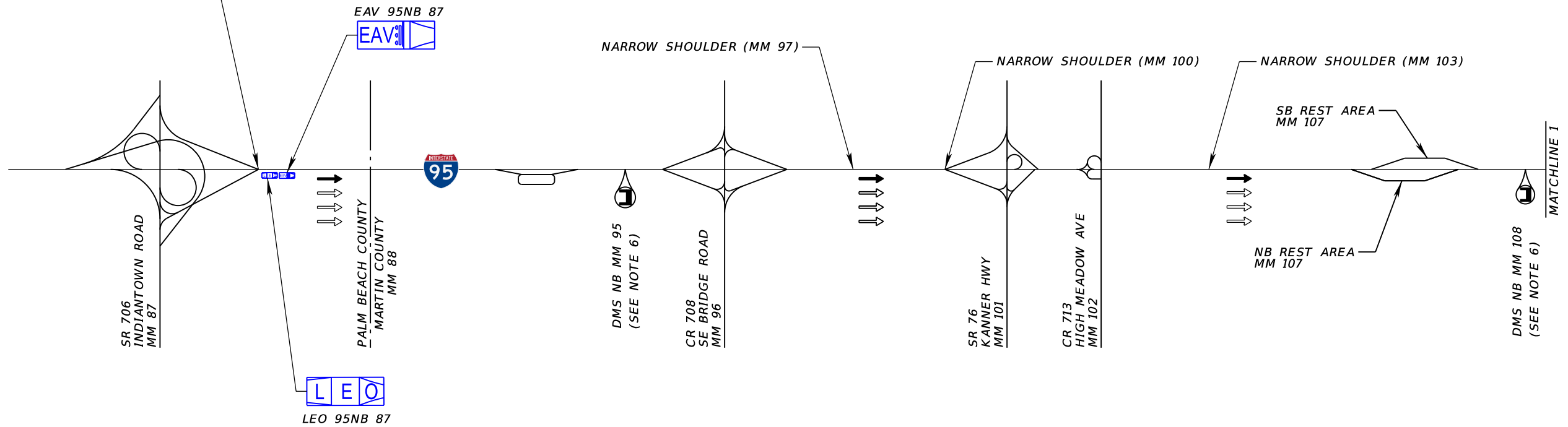
→ EMERGENCY SHOULDER USE (ESU) LANE

⇨ GENERAL USE LANE

REVISIONS				STATE OF FLORIDA DEPARTMENT OF TRANSPORTATION			TYPICAL SIGN PLACEMENT	SHEET NO. 6
DATE	DESCRIPTION	DATE	DESCRIPTION	ROAD NO.	COUNTY	FINANCIAL PROJECT ID		
				SR 9 (NB)	ALL COUNTIES IN PROJECT LIMITS			

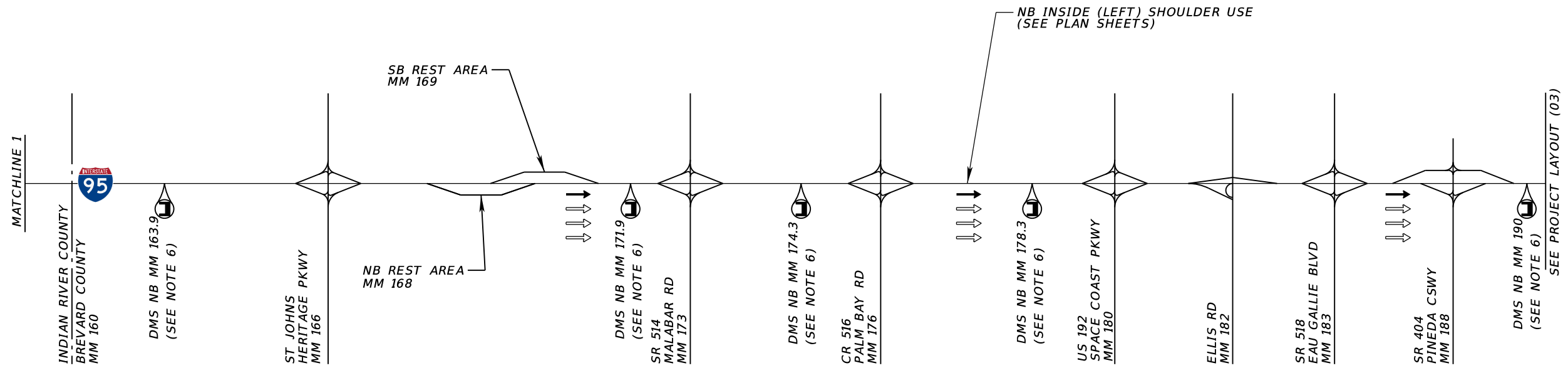
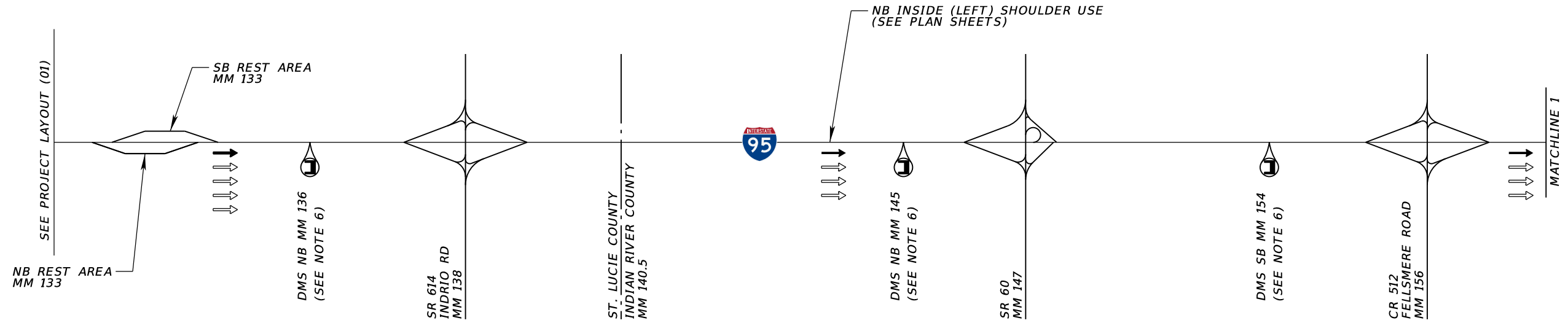
LEGEND
 MM - MILE MARKER
 → - EMERGENCY SHOULDER USE (ESU) LANE
 ⇨ - GENERAL USE LANE

BEGIN NB INSIDE (LEFT) SHOULDER USE (SEE SHEET NO. 13) MM 87



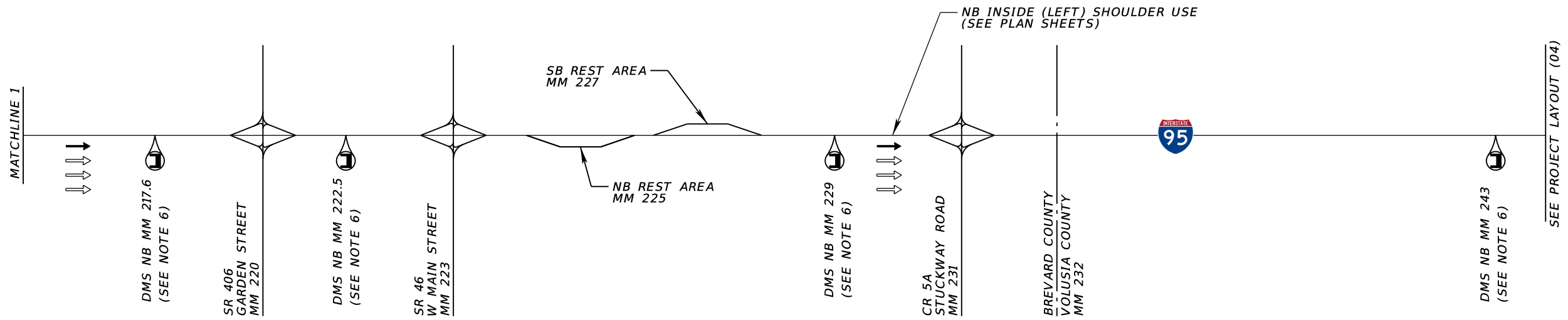
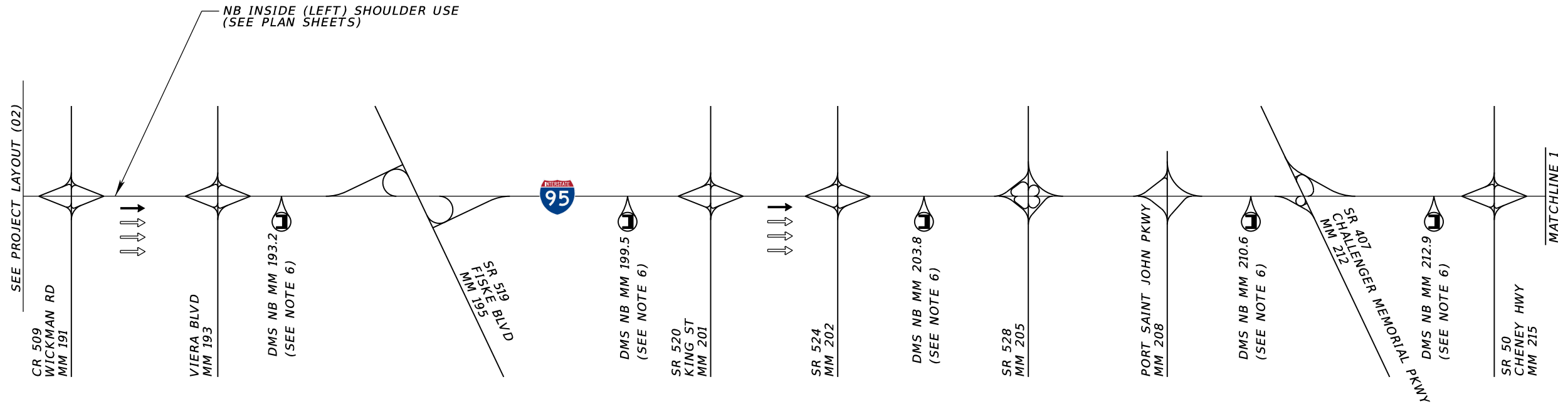
REVISIONS				STATE OF FLORIDA DEPARTMENT OF TRANSPORTATION			PROJECT LAYOUT (01)	SHEET NO. 7
DATE	DESCRIPTION	DATE	DESCRIPTION	ROAD NO.	COUNTY	FINANCIAL PROJECT ID		
				SR 9 (NB)	ALL COUNTIES IN PROJECT LIMITS			

LEGEND
 MM - MILE MARKER
 → - EMERGENCY SHOULDER USE (ESU) LANE
 ⇨ - GENERAL USE LANE



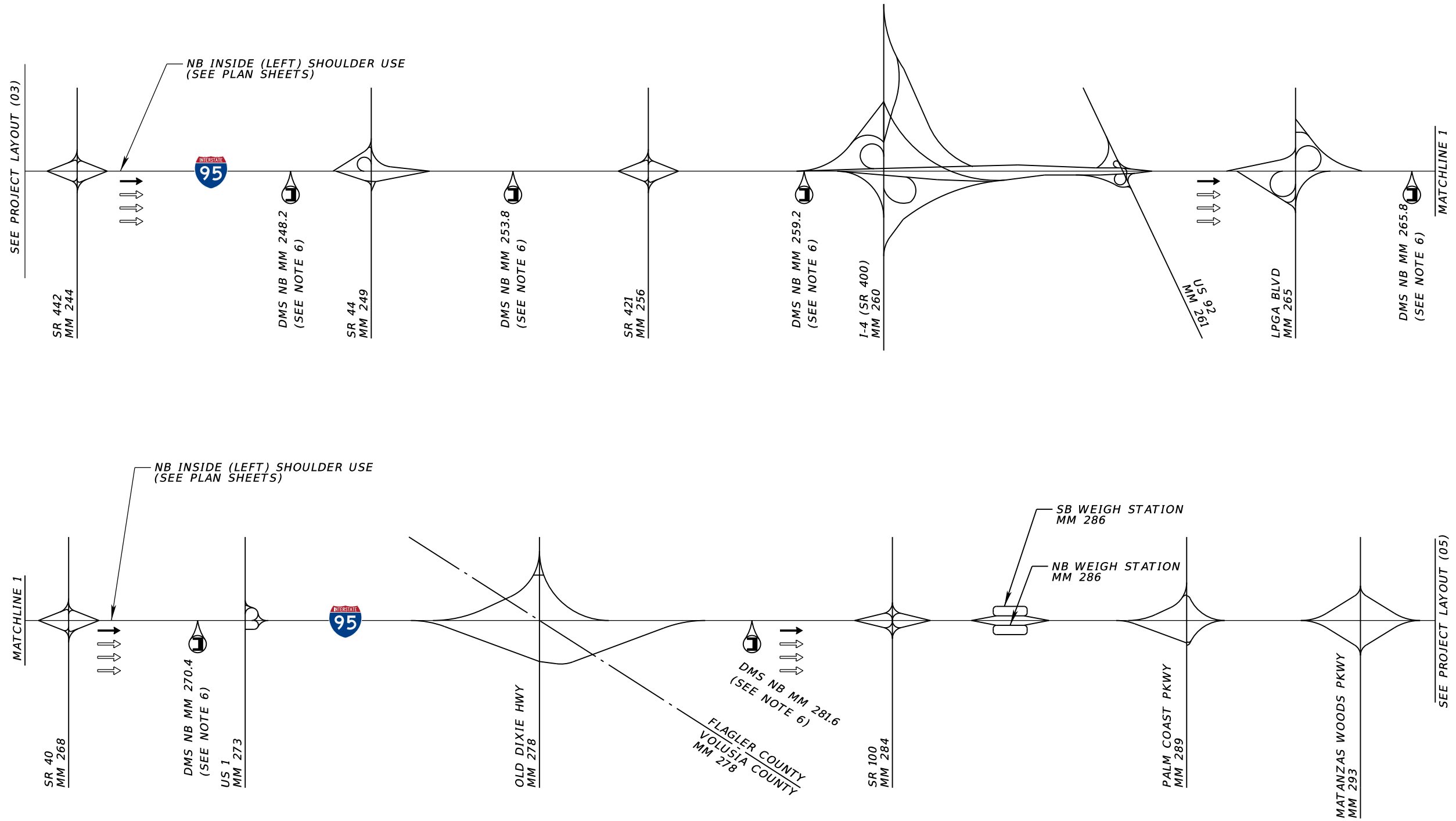
REVISIONS				STATE OF FLORIDA DEPARTMENT OF TRANSPORTATION			PROJECT LAYOUT (02)	SHEET NO.
DATE	DESCRIPTION	DATE	DESCRIPTION	ROAD NO.	COUNTY	FINANCIAL PROJECT ID		
				SR 9 (NB)	ALL COUNTIES IN PROJECT LIMITS			8

LEGEND
 MM - MILE MARKER
 - EMERGENCY SHOULDER USE (ESU) LANE
 - GENERAL USE LANE



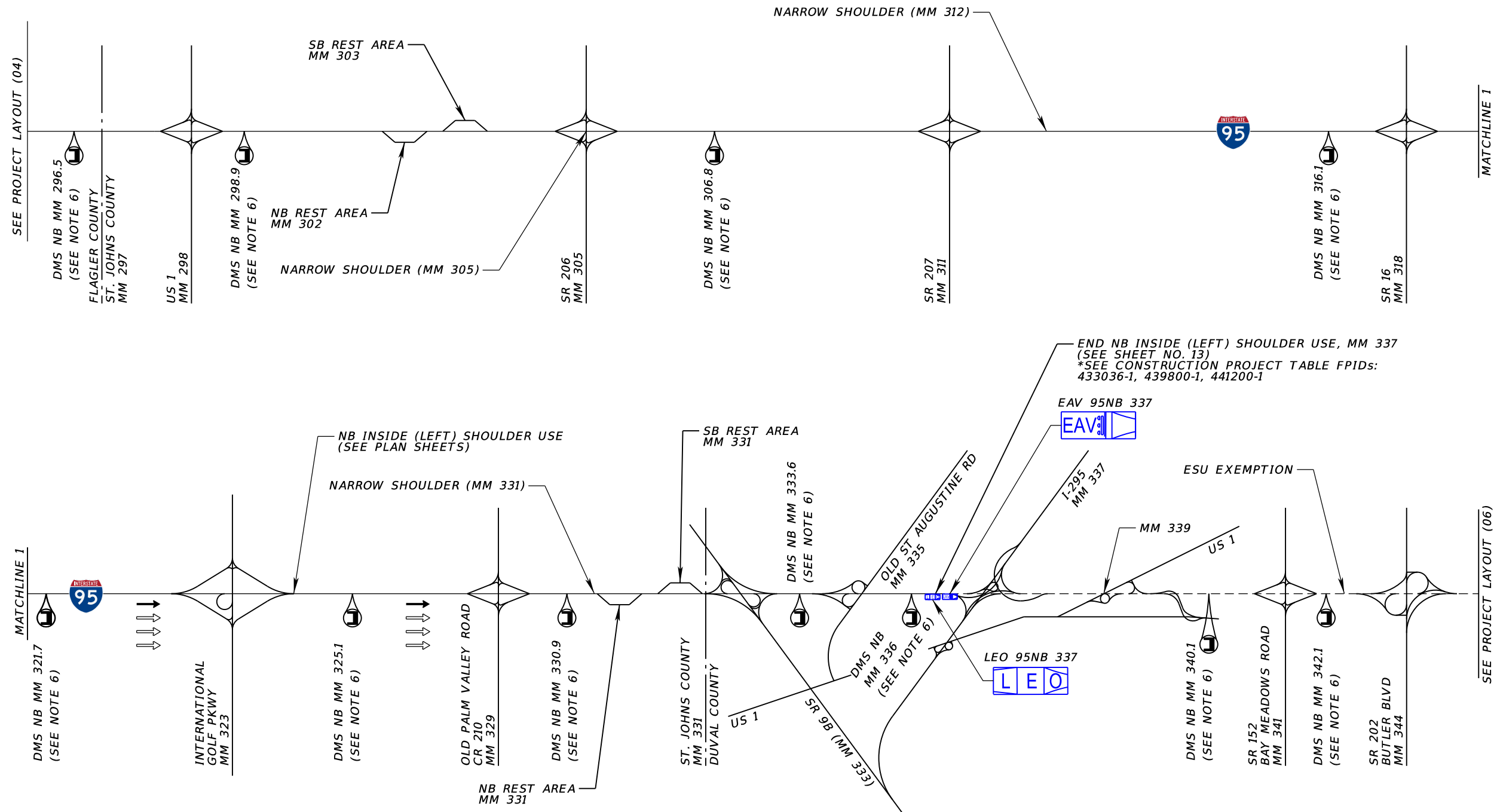
REVISIONS				STATE OF FLORIDA DEPARTMENT OF TRANSPORTATION	PROJECT LAYOUT (03)	SHEET NO.
DATE	DESCRIPTION	DATE	DESCRIPTION			
						ROAD NO.
				SR 9 (NB)	ALL COUNTIES IN PROJECT LIMITS	

LEGEND
 MM - MILE MARKER
 - EMERGENCY SHOULDER USE (ESU) LANE
 - GENERAL USE LANE



REVISIONS				STATE OF FLORIDA DEPARTMENT OF TRANSPORTATION			PROJECT LAYOUT (04)	SHEET NO.
DATE	DESCRIPTION	DATE	DESCRIPTION	ROAD NO.	COUNTY	FINANCIAL PROJECT ID		
				SR 9 (NB)	ALL COUNTIES IN PROJECT LIMITS			10

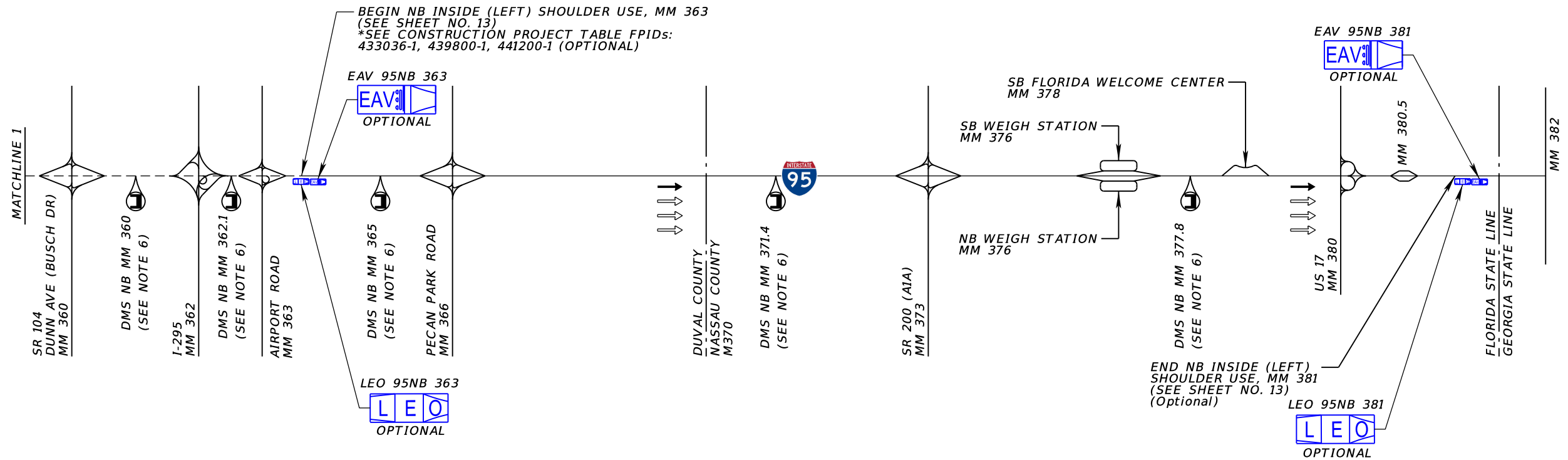
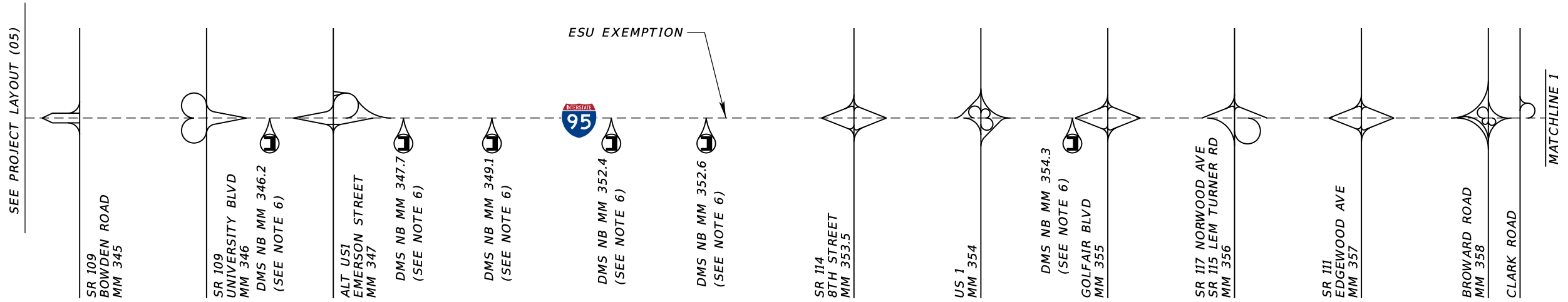
LEGEND
 MM - MILE MARKER
 → - EMERGENCY SHOULDER USE (ESU) LANE
 ⇨ - GENERAL USE LANE



END NB INSIDE (LEFT) SHOULDER USE, MM 337
 (SEE SHEET NO. 13)
 *SEE CONSTRUCTION PROJECT TABLE FPIDs:
 433036-1, 439800-1, 441200-1

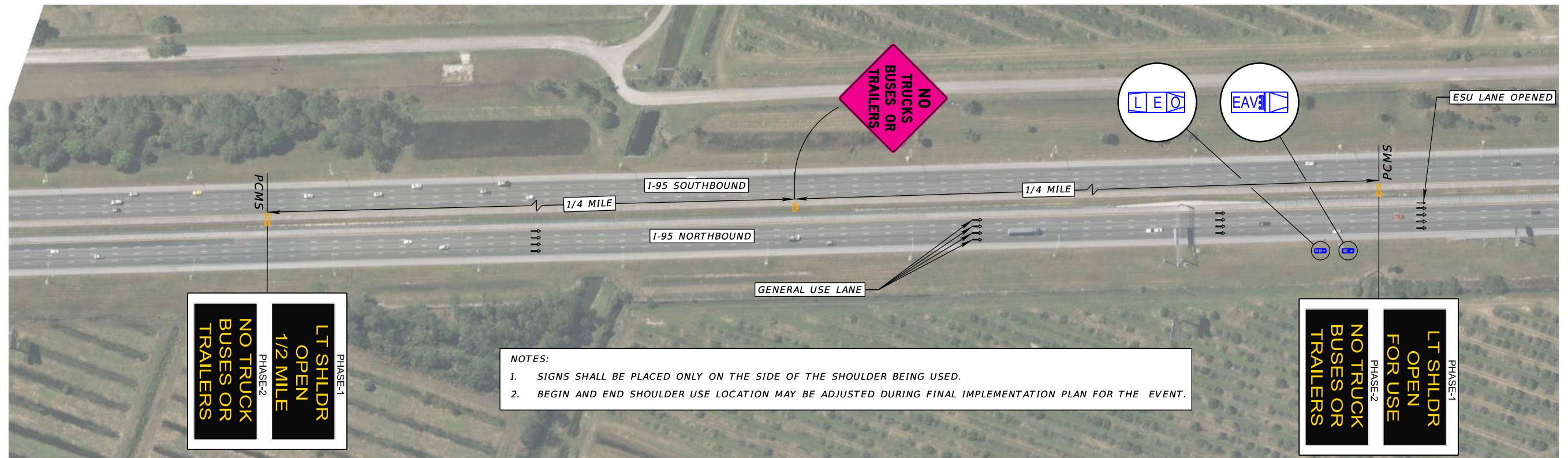
REVISIONS				STATE OF FLORIDA DEPARTMENT OF TRANSPORTATION			PROJECT LAYOUT (05)	SHEET NO.
DATE	DESCRIPTION	DATE	DESCRIPTION	ROAD NO.	COUNTY	FINANCIAL PROJECT ID		
				SR 9 (NB)	ALL COUNTIES IN PROJECT LIMITS			11

LEGEND
 MM - MILE MARKER
 - EMERGENCY SHOULDER USE (ESU) LANE
 - GENERAL USE LANE

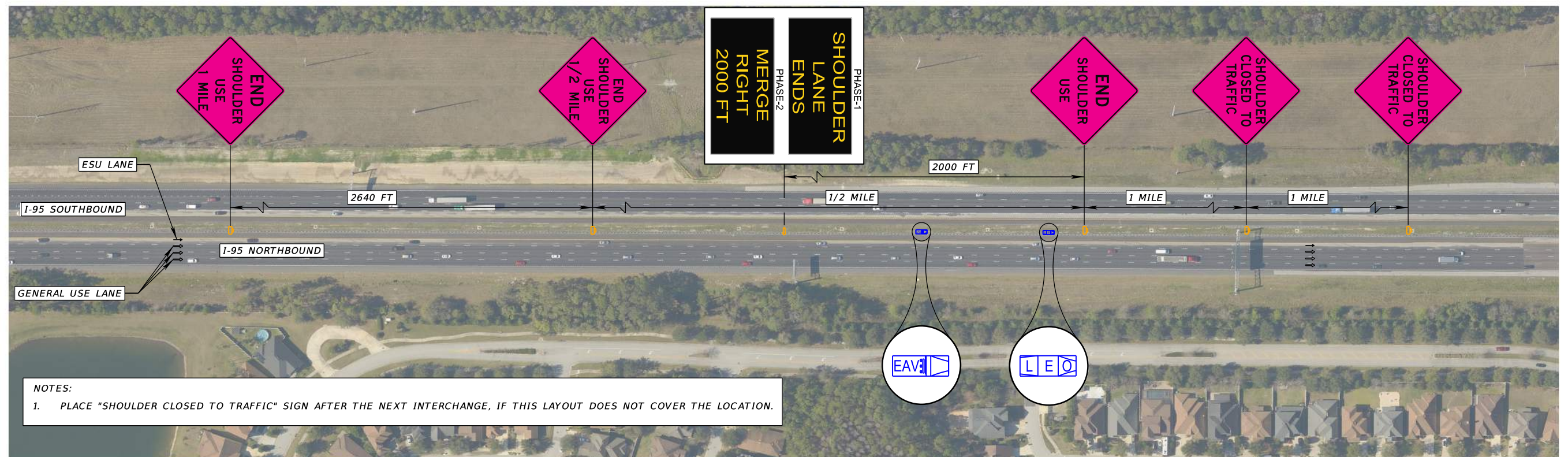


REVISIONS				STATE OF FLORIDA DEPARTMENT OF TRANSPORTATION	PROJECT LAYOUT (06)	SHEET NO. 12
DATE	DESCRIPTION	DATE	DESCRIPTION			
				SR 9 (NB) ALL COUNTIES IN PROJECT LIMITS		

BEGIN LEFT SHOULDER USE



END LEFT SHOULDER USE



REVISIONS				STATE OF FLORIDA DEPARTMENT OF TRANSPORTATION	PLAN SHEETS (01) TYPICAL LAYOUT FOR BEGIN AND END SHOULDER USE	SHEET NO. 13
DATE	DESCRIPTION	DATE	DESCRIPTION			

dstutts 6/9/2021 8:47:38 AM J:\63045\TECHPRD\TW041_ESU2021\CADD\I95NB_ESU_Concept_Plans\Plan01.dgn

PLAN SHEET NOTE:

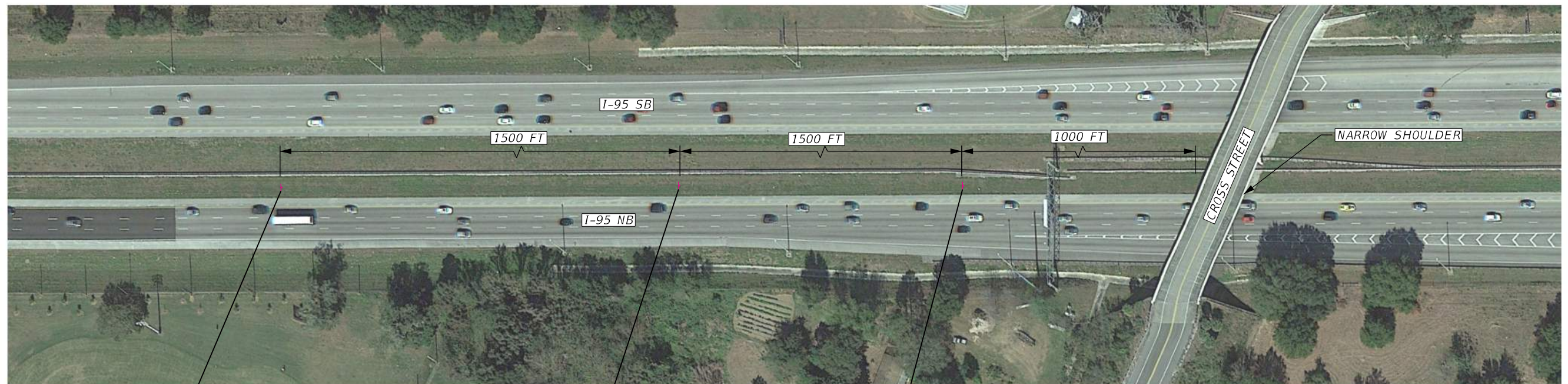
- SIGNS SHOULD BE PLACED ONLY ON THE SIDE OF THE SHOULDER BEING USED.



REVISIONS				STATE OF FLORIDA DEPARTMENT OF TRANSPORTATION			PLAN SHEETS (02) TYPICAL LAYOUT AT INTERCHANGES	SHEET NO.
DATE	DESCRIPTION	DATE	DESCRIPTION	ROAD NO.	COUNTY	FINANCIAL PROJECT ID		14
				SR 9 (NB)	ALL COUNTIES IN PROJECT LIMITS			

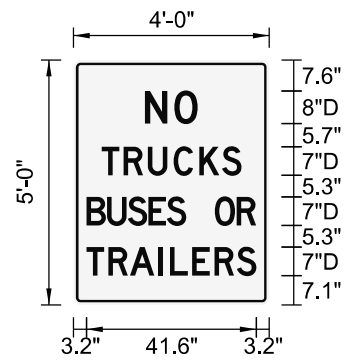
PLAN SHEET NOTE:

1. SIGNS SHALL BE PLACED ONLY ON THE SIDE OF THE SHOULDER ON WHICH A NARROW SHOULDER IS PRESENT.
2. THIS LAYOUT APPLIES TO ALL NARROW SHOULDER LOCATIONS.



REVISIONS				STATE OF FLORIDA DEPARTMENT OF TRANSPORTATION			PLAN SHEETS (03) TYPICAL LAYOUT AT NARROW SHOULDERS	SHEET NO.
DATE	DESCRIPTION	DATE	DESCRIPTION	ROAD NO.	COUNTY	FINANCIAL PROJECT ID		
				SR 9 (NB)	ALL COUNTIES IN PROJECT LIMITS			15

SIGN NAME	SIGN 209	QTY	SIGN NUMBER	STATION(S)	
PANEL	BORDER			none	
WIDTH	4'-0"	WIDTH	0.75"		
HEIGHT	5'-0"	RADII	1.13"		
LEGEND	Black	COLOR	Black		
COLOR	White				
SYMBOL(S)	ANGLE	X	Y	WID	HT
SIGN NUMBER	NUMBER OF POSTS	CLEARANCE Edge Of Lane	COLUMN SIZE	AVERAGE LENGTH	

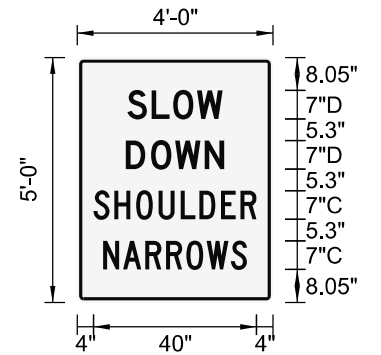


NO. OF LIGHT FIXTURES	FIXTURE SPACING	PHOTOMETRIC CURVE	WATT	VOLTAGE

COPY		N	O	L																
SPACE	17.6	7.2	5.7	17.6	12.9															
COPY		T	R	U	C	K	S	L												
SPACE	6.9	5.4	6	6.3	6.3	5.6	4.8	6.8	34.3											
COPY		B	U	S	E	S	O	R	L											
SPACE	3.2	5.1	5.1	5.1	4.5	4.8	7	5.4	4.8	3.2	41.6									
COPY		T	R	A	I	L	E	R	S	L										
SPACE	3.2	5.4	5.3	7	2.8	5.4	5.5	5.5	4.8	3.2	41.6									
COPY																				
SPACE																				
COPY																				
SPACE																				

NO. OF LIGHT FIXTURES	FIXTURE SPACING	PHOTOMETRIC CURVE	WATT	VOLTAGE

SIGN NAME	SIGN 210	QTY	SIGN NUMBER	STATION(S)	
PANEL	BORDER			none	
WIDTH	4'-0"	WIDTH	0.75"		
HEIGHT	5'-0"	RADII	1.13"		
LEGEND	Black	COLOR	Black		
COLOR	White				
SYMBOL(S)	ANGLE	X	Y	WID	HT
SIGN NUMBER	NUMBER OF POSTS	CLEARANCE Edge Of Lane	COLUMN SIZE	AVERAGE LENGTH	

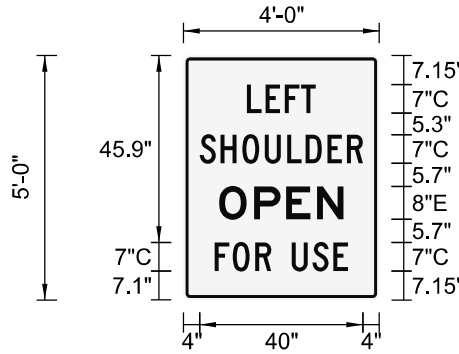


NO. OF LIGHT FIXTURES	FIXTURE SPACING	PHOTOMETRIC CURVE	WATT	VOLTAGE

COPY		S	L	O	W	L														
SPACE	12.3	6	5.3	5.9	6.2	12.3	23.3													
COPY		D	O	W	N	L														
SPACE	12	6.2	5.9	7.3	4.8	12	24.1													
COPY		S	H	O	U	L	D	E	R	L										
SPACE	4	5.1	5.3	5.5	5.5	4.5	5.3	4.8	3.9	4	40									
COPY		N	A	R	R	O	W	S	L											
SPACE	6.4	4.9	5.5	5.1	5	5	6	3.9	6.4	35.3										
COPY																				
SPACE																				
COPY																				
SPACE																				

NO. OF LIGHT FIXTURES	FIXTURE SPACING	PHOTOMETRIC CURVE	WATT	VOLTAGE

SIGN NAME	SIGN 218	QTY	SIGN NUMBER	STATION(S)	
PANEL	BORDER			none	
WIDTH	4'-0"	WIDTH	0.75"		
HEIGHT	5'-0"	RADII	1.13"		
LEGEND	Black	COLOR	Black		
COLOR	White				
SYMBOL(S)	ANGLE	X	Y	WID	HT
SIGN NUMBER	NUMBER OF POSTS	CLEARANCE Edge Of Lane	COLUMN SIZE	AVERAGE LENGTH	

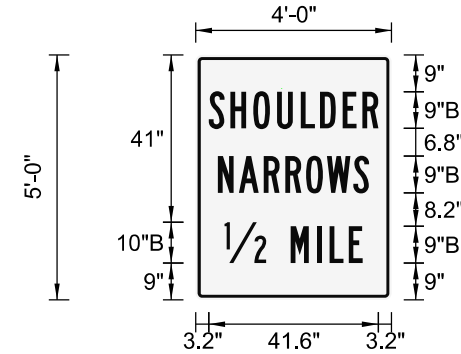


NO. OF LIGHT FIXTURES	FIXTURE SPACING	PHOTOMETRIC CURVE	WATT	VOLTAGE

COPY		L	E	F	T	L														
SPACE	15.6	4.6	4.8	4	3.6	15.6	16.9													
COPY		S	H	O	U	L	D	E	R	L										
SPACE	4	5.1	5.3	5.5	5.5	4.6	5.3	4.8	3.9	4	40									
COPY		O	P	E	N	L														
SPACE	8.8	8.6	7.8	7.6	6.5	8.8	30.5													
COPY		F	O	R	U	S	E	L												
SPACE	7.7	4.4	5.5	3.9	5	5.1	5.1	3.6	7.7	32.7										
COPY																				
SPACE																				
COPY																				
SPACE																				

NO. OF LIGHT FIXTURES	FIXTURE SPACING	PHOTOMETRIC CURVE	WATT	VOLTAGE

SIGN NAME	SIGN 204	QTY	SIGN NUMBER	STATION(S)	
PANEL	BORDER			none	
WIDTH	4'-0"	WIDTH	0.75"		
HEIGHT	5'-0"	RADII	1.13"		
LEGEND	Black	COLOR	Black		
COLOR	White				
SYMBOL(S)	ANGLE	X	Y	WID	HT
SIGN NUMBER	NUMBER OF POSTS	CLEARANCE Edge Of Lane	COLUMN SIZE	AVERAGE LENGTH	



NO. OF LIGHT FIXTURES	FIXTURE SPACING	PHOTOMETRIC CURVE	WATT	VOLTAGE

COPY		S	H	O	U	L	D	E	R	L										
SPACE	3.2	5.3	5.6	5.8	5.8	4.7	5.6	4.9	3.9	3.2	41.6									
COPY		N	A	R	R	O	W	S	L											
SPACE	5.5	5.1	6.1	5.3	5	5.1	6.5	3.9	5.5	37.1										
COPY		1/2	M	I	L	E	L													
SPACE	7.1	10.2	6	6.4	3.2	4.7	3.4	7.1	33.9											
COPY																				
SPACE																				
COPY																				
SPACE																				

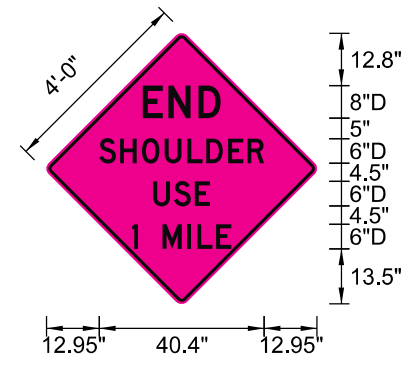
NO. OF LIGHT FIXTURES	FIXTURE SPACING	PHOTOMETRIC CURVE	WATT	VOLTAGE

REVISIONS			
DATE	DESCRIPTION	DATE	DESCRIPTION

STATE OF FLORIDA DEPARTMENT OF TRANSPORTATION		
ROAD NO.	COUNTY	FINANCIAL PROJECT ID
SR 9 (NB)	ALL COUNTIES IN PROJECT LIMITS	

SIGN DETAILS (02)	SHEET NO. 17
-------------------	-----------------

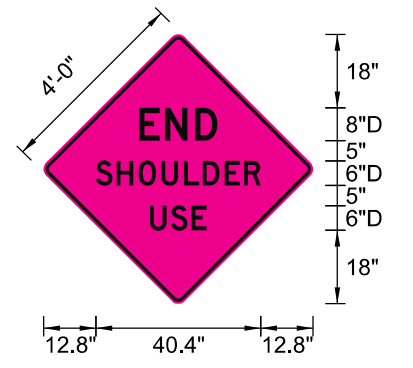
SIGN NAME	SIGN I15	QTY	SIGN NUMBER	STATION(S)	
PANEL	BORDER			none	
WIDTH	5'-6"	WIDTH	0.75"		
HEIGHT	5'-6"	RADII	1.38"		
LEGEND	Black	COLOR	Black		
COLOR	Fluorescent Pink				
SYMBOL(S)	ANGLE	X	Y	WID	HT
SIGN NUMBER	NUMBER OF POSTS	CLEARANCE Edge Of Lane	COLUMN SIZE	AVERAGE LENGTH	



NO. OF LIGHT FIXTURES	FIXTURE SPACING	PHOTOMETRIC CURVE	WATT	VOLTAGE

COPY		E	N	D	L															
SPACE	23.6	6.3	7.4	5.4	23.6	19.1														
COPY		S	H	O	U	L	D	E	R	L										
SPACE	12.9	5.1	5.4	5.6	5.5	4.6	5.4	4.7	4.1	12.9	40.4									
COPY		U	S	E	L															
SPACE	26.2	5.1	5.1	3.7	26.2	13.9														
COPY		1		M	I	L	E	L												
SPACE	21	1.5	6	6.1	2.4	4.6	3.7	21	24.4											
COPY																				
SPACE																				
COPY																				
SPACE																				
COPY																				
SPACE																				

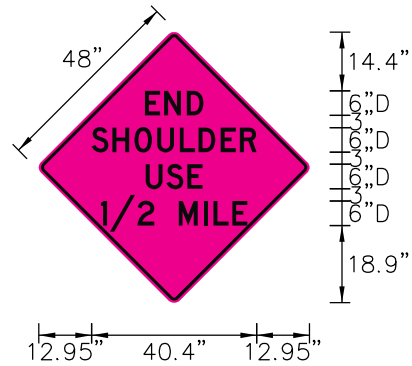
SIGN NAME	SIGN I14	QTY	SIGN NUMBER	STATION(S)	
PANEL	BORDER			none	
WIDTH	5'-6"	WIDTH	0.75"		
HEIGHT	5'-6"	RADII	1.38"		
LEGEND	Black	COLOR	Black		
COLOR	Fluorescent Pink				
SYMBOL(S)	ANGLE	X	Y	WID	HT
SIGN NUMBER	NUMBER OF POSTS	CLEARANCE Edge Of Lane	COLUMN SIZE	AVERAGE LENGTH	



NO. OF LIGHT FIXTURES	FIXTURE SPACING	PHOTOMETRIC CURVE	WATT	VOLTAGE

COPY		E	N	D	L															
SPACE	23.4	6.3	7.4	5.4	23.4	19.1														
COPY		S	H	O	U	L	D	E	R	L										
SPACE	12.8	5.1	5.4	5.6	5.5	4.6	5.4	4.7	4.1	12.8	40.4									
COPY		U	S	E	L															
SPACE	26	5.1	5.1	3.7	26	13.9														
COPY																				
SPACE																				
COPY																				
SPACE																				
COPY																				
SPACE																				

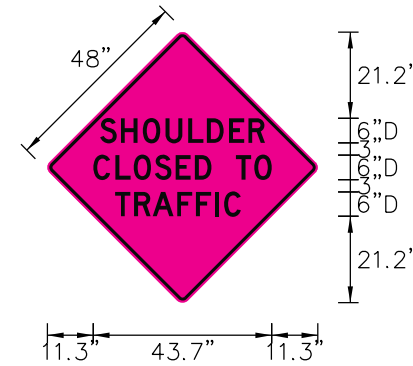
SIGN NAME	SIGN 502	QTY	SIGN NUMBER	STATION(S)	
PANEL	BORDER			none	
WIDTH	5'-6"	WIDTH	0"		
HEIGHT	5'-6"	RADII	0"		
LEGEND	Black	COLOR	Black		
COLOR	Fluorescent Pink				
SYMBOL(S)	ANGLE	X	Y	WID	HT
SIGN NUMBER	NUMBER OF POSTS	CLEARANCE Edge Of Lane	COLUMN SIZE	AVERAGE LENGTH	



NO. OF LIGHT FIXTURES	FIXTURE SPACING	PHOTOMETRIC CURVE	WATT	VOLTAGE

COPY		E	N	D	L															
SPACE	26	30.7	36.3		14.3															
COPY		S	H	O	U	L	D	E	R	L										
SPACE	12.9	18	23.4	29	34.5	39.2	44.6	49.3		40.4										
COPY		U	S	E	L															
SPACE	26.2	31.3	36.4		13.9															
COPY		1	/	2		M	I	L	E	L										
SPACE	15.2	17.4	24.2	28.3	34.3	40.4	42.8	47.4		35.9										
COPY																				
SPACE																				
COPY																				
SPACE																				

SIGN NAME	name	QTY	SIGN NUMBER	STATION(S)	
PANEL	BORDER			none	
WIDTH	5'-6"	WIDTH	0"		
HEIGHT	5'-6"	RADII	0"		
LEGEND	Black	COLOR	Black		
COLOR	Fluorescent Pink				
SYMBOL(S)	ANGLE	X	Y	WID	HT
SIGN NUMBER	NUMBER OF POSTS	CLEARANCE Edge Of Lane	COLUMN SIZE	AVERAGE LENGTH	



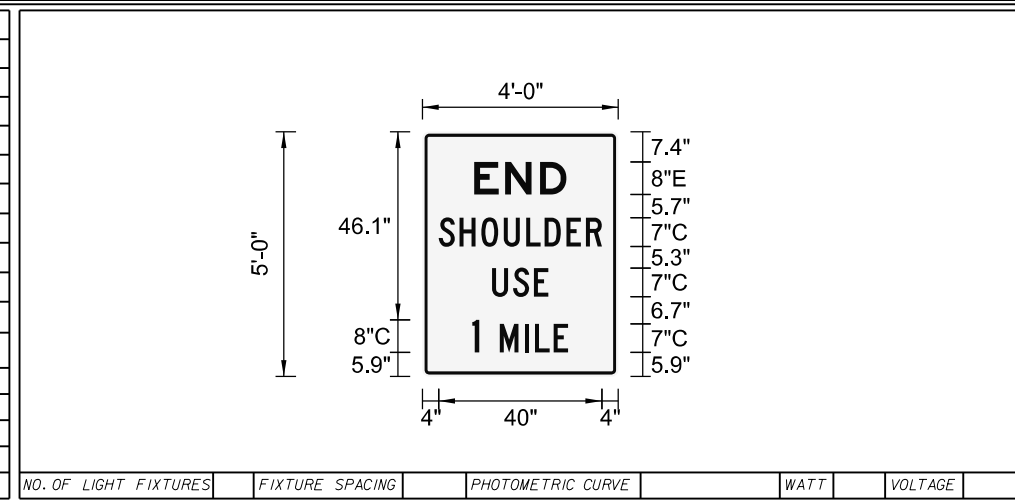
NO. OF LIGHT FIXTURES	FIXTURE SPACING	PHOTOMETRIC CURVE	WATT	VOLTAGE

COPY		S	H	O	U	L	D	E	R	L										
SPACE	12.9	18	23.4	29	34.5	39.2	44.6	49.3		40.4										
COPY		C	L	O	S	E	D		T	O	L									
SPACE	11.3	16.7	21.2	26.4	31.5	36.2	40.3	46.3	50.8		43.7									
COPY		T	R	A	F	F	I	C		L										
SPACE	16.7	21.3	25.8	31.8	36.5	41.1	43.4		30.8											
COPY																				
SPACE																				
COPY																				
SPACE																				

REVISIONS			
DATE	DESCRIPTION	DATE	DESCRIPTION

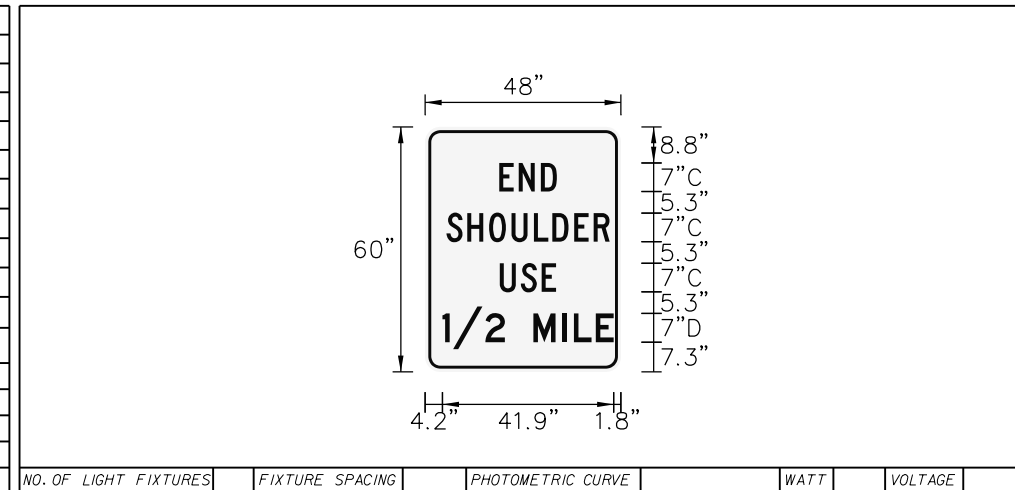
STATE OF FLORIDA DEPARTMENT OF TRANSPORTATION			SIGN DETAILS (03)	SHEET NO. 18
ROAD NO.	COUNTY	FINANCIAL PROJECT ID		
SR 9 (NB)	ALL COUNTIES IN PROJECT LIMITS			

SIGN NAME	SIGN 215	QTY	I	SIGN NUMBER	STATION(S)
PANEL	BORDER				none
WIDTH	4'-0"	WIDTH	0.75"		
HEIGHT	5'-0"	RADII	1.13"		
LEGEND	Black	COLOR	Black		
COLOR	White				
SYMBOL(S)	ANGLE	X	Y	WID	HT
SIGN NUMBER	NUMBER OF POSTS	CLEARANCE Edge Of Lane	COLUMN SIZE	AVERAGE LENGTH	



NO. OF LIGHT FIXTURES	FIXTURE SPACING	PHOTOMETRIC CURVE	WATT	VOLTAGE

COPY	E	N	D	L																
SPACE	12.7	7.6	8.6	6.5	12.7	22.6														
COPY	S	H	O	U	L	D	E	R	L											
SPACE	4	5.1	5.3	5.5	5.5	4.5	5.3	4.8	3.9	4	40									
COPY	U	S	E	L																
SPACE	17.1	5.1	5.1	3.6	17.1	13.8														
COPY	1	M	I	L	E	L														
SPACE	12.3	1.7	5	6.2	2.5	4.6	3.6	12.3	23.5											
COPY																				
SPACE																				
COPY																				
SPACE																				

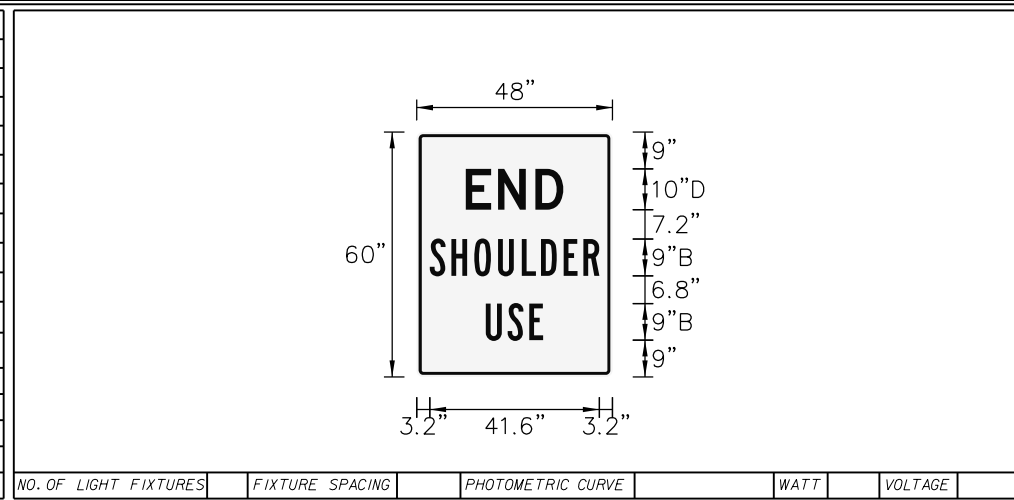


NO. OF LIGHT FIXTURES	FIXTURE SPACING	PHOTOMETRIC CURVE	WATT	VOLTAGE

COPY	E	N	D	L																
SPACE	18.1	22.9	28.4	14.1																
COPY	S	H	O	U	L	D	E	R	L											
SPACE	5.2	10.3	15.7	21.2	26.6	31.2	36.5	41.3	40											
COPY	U	S	E	L																
SPACE	18.3	23.4	28.5	13.8																
COPY	1	/	2	M	I	L	E	L												
SPACE	4.2	6.8	14.7	19.5	26.5	33.6	36.4	41.8	41.9											
COPY																				
SPACE																				
COPY																				
SPACE																				

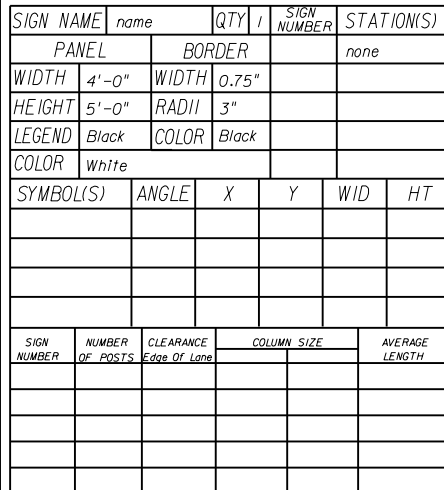
REVISIONS			
DATE	DESCRIPTION	DATE	DESCRIPTION

SIGN NAME	SIGN 214	QTY	I	SIGN NUMBER	STATION(S)
PANEL	BORDER				none
WIDTH	4'-0"	WIDTH	0.75"		
HEIGHT	5'-0"	RADII	1.13"		
LEGEND	Black	COLOR	Black		
COLOR	White				
SYMBOL(S)	ANGLE	X	Y	WID	HT
SIGN NUMBER	NUMBER OF POSTS	CLEARANCE Edge Of Lane	COLUMN SIZE	AVERAGE LENGTH	



NO. OF LIGHT FIXTURES	FIXTURE SPACING	PHOTOMETRIC CURVE	WATT	VOLTAGE

COPY	E	N	D	L																
SPACE	224.5	232.1	240.6	22.6																
COPY	E	N	D	L																
SPACE	583.9	591.8	601	23.9																
COPY	S	H	O	U	L	D	E	R	L											
SPACE	215.8	220.9	226.2	231.8	237.2	241.8	247.1	251.9	40											
COPY	S	H	O	U	L	D	E	R	L											
SPACE	575.1	580.4	586	591.8	597.7	602.3	607.9	612.8	41.6											
COPY																				
SPACE																				
COPY																				
SPACE																				



NO. OF LIGHT FIXTURES	FIXTURE SPACING	PHOTOMETRIC CURVE	WATT	VOLTAGE

COPY	S	H	O	U	L	D	E	R	L											
SPACE	4	9.1	14.5	20	25.5	30	35.3	40.1	40											
COPY	C	L	O	S	E	D	T	O	L											
SPACE	1.7	7	11.4	16.6	21.7	26.4	30.4	37.4	41.8	44.2										
COPY	T	R	A	F	F	I	C	L												
SPACE	10.2	14.7	19.3	24.7	29.3	33.8	36.2	30												
COPY																				
SPACE																				
COPY																				
SPACE																				

DATE	DESCRIPTION	DATE	DESCRIPTION

STATE OF FLORIDA DEPARTMENT OF TRANSPORTATION			SIGN DETAILS (04)	SHEET NO. 19
ROAD NO.	COUNTY	FINANCIAL PROJECT ID		
SR 9 (NB)	ALL COUNTIES IN PROJECT LIMITS			